

MATERIALS AND FINISHES:

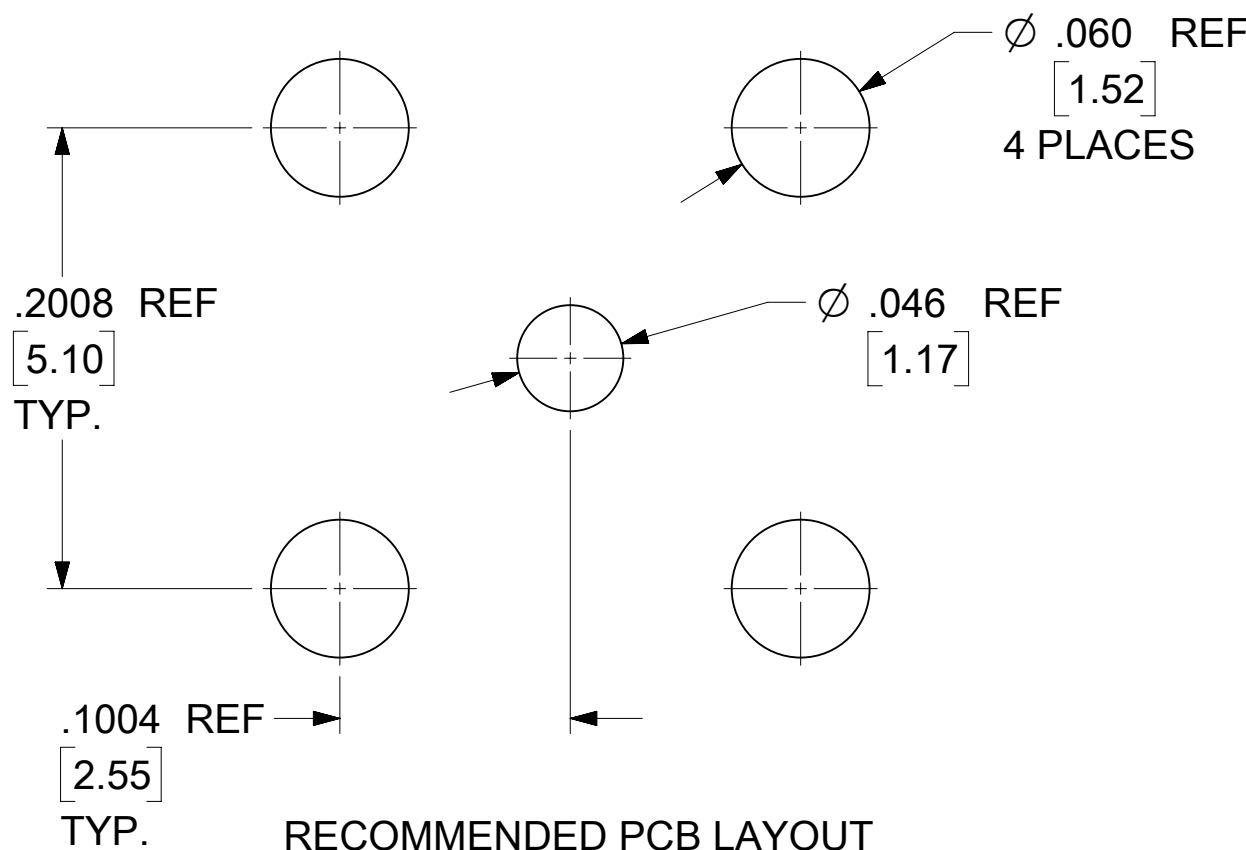
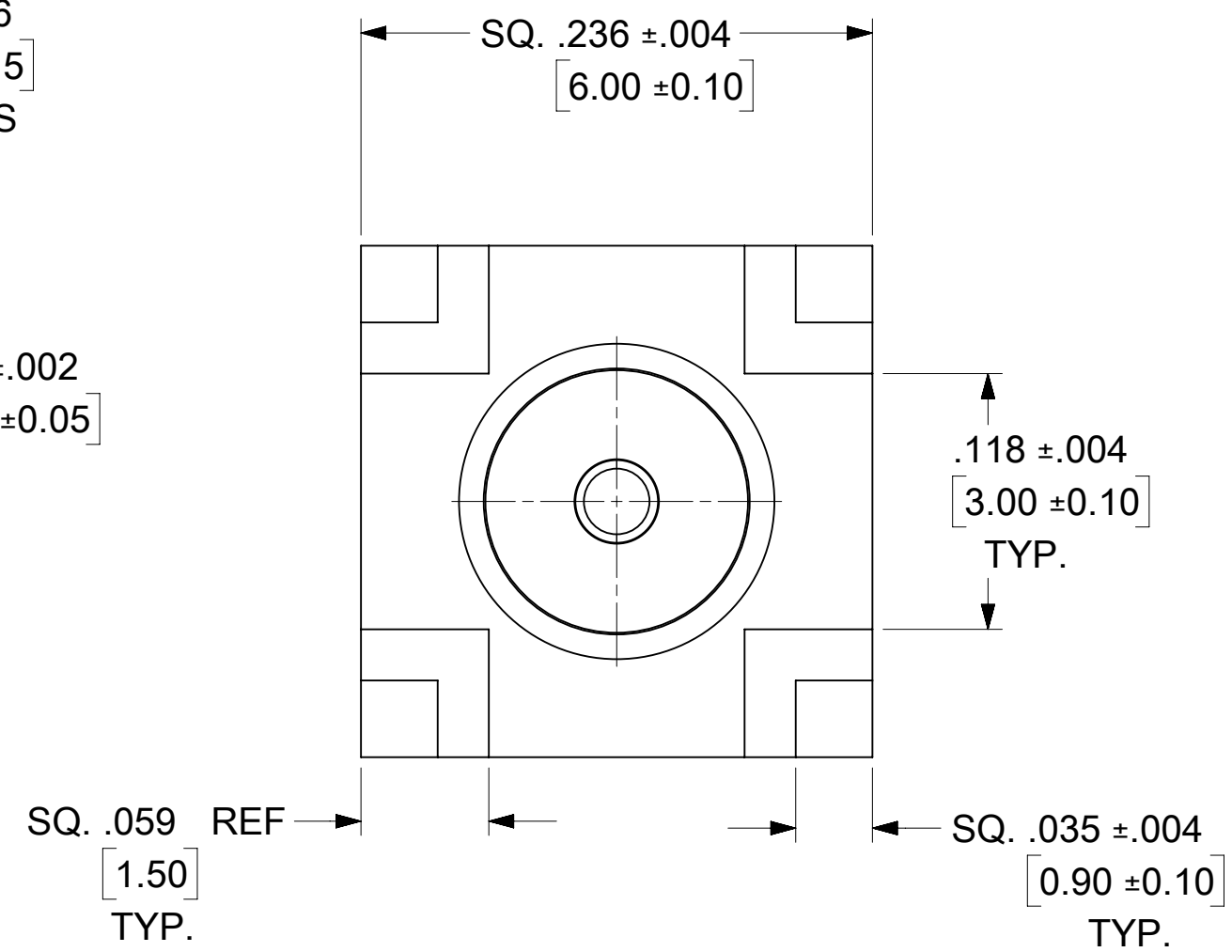
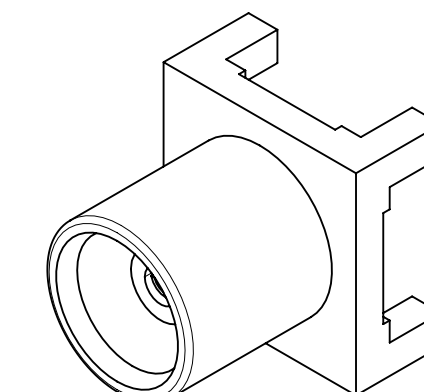
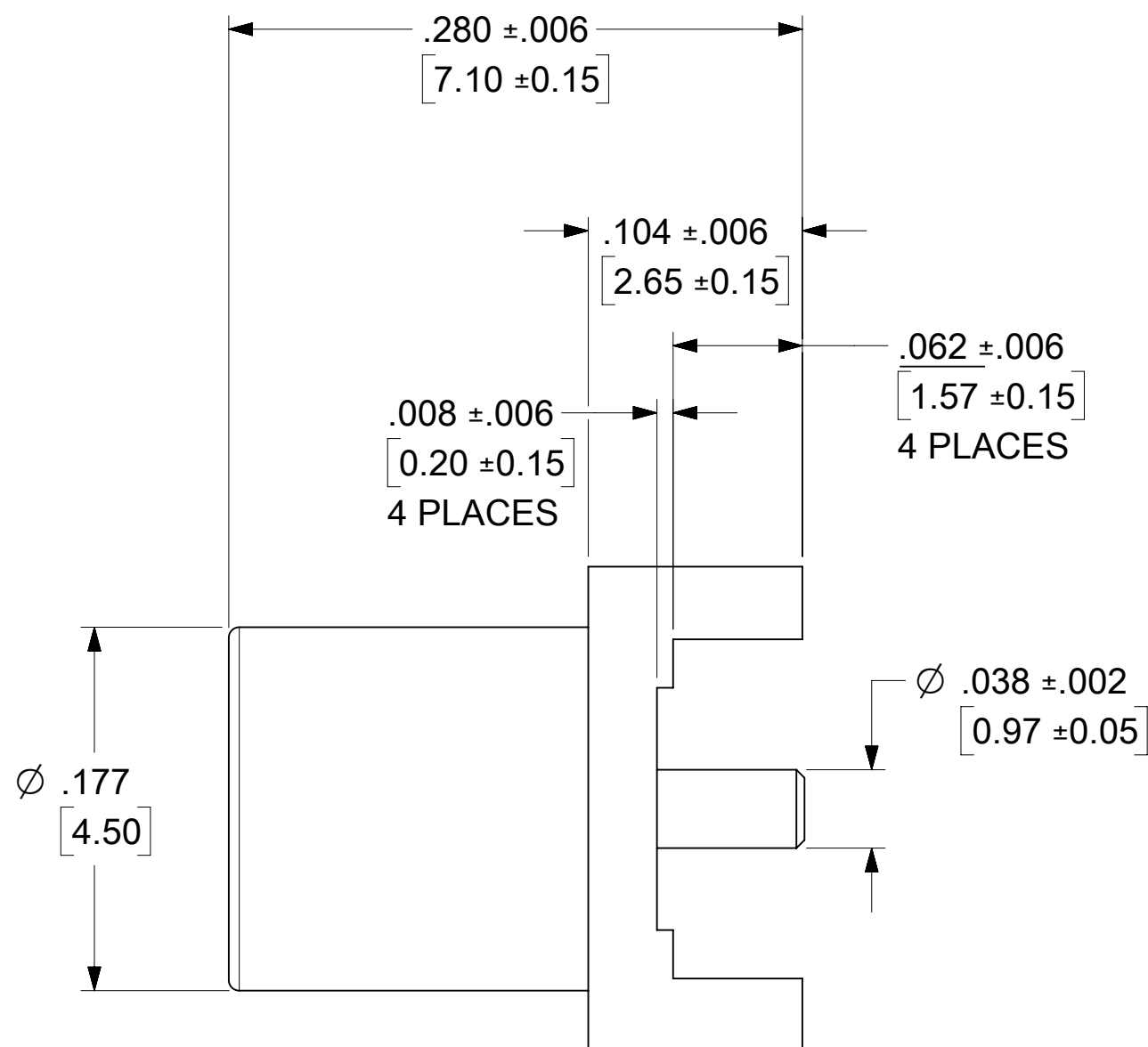
BODY: BRASS
 PLATED: GOLD (1μ-in MIN)
 OVER NICKEL (50μ-in MIN)

CONTACT: BERYLLIUM COPPER
 PLATED: GOLD (30μ-in MIN)
 OVER NICKEL (50μ-in MIN)

INSULATOR: PTFE

ELECTRICAL SPECIFICATION:

VSWR:
 1.30 MAX. @ DC- 2GHZ
 1.35 MAX. @ 2GHZ -6GHZ
 INSERTION LOSS:
 0.1 dB MAX. @ DC-1GHZ

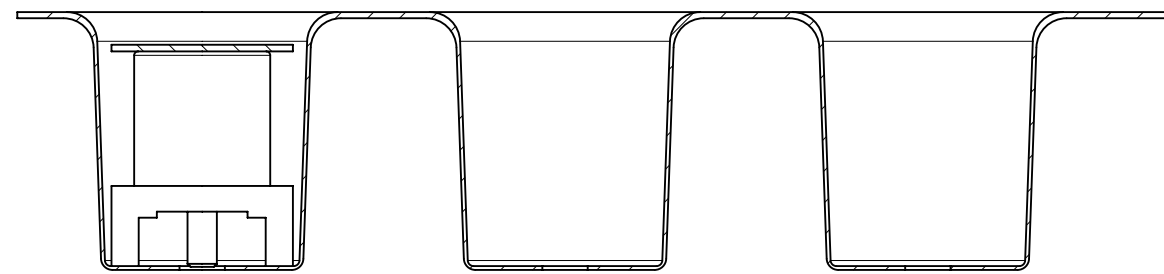
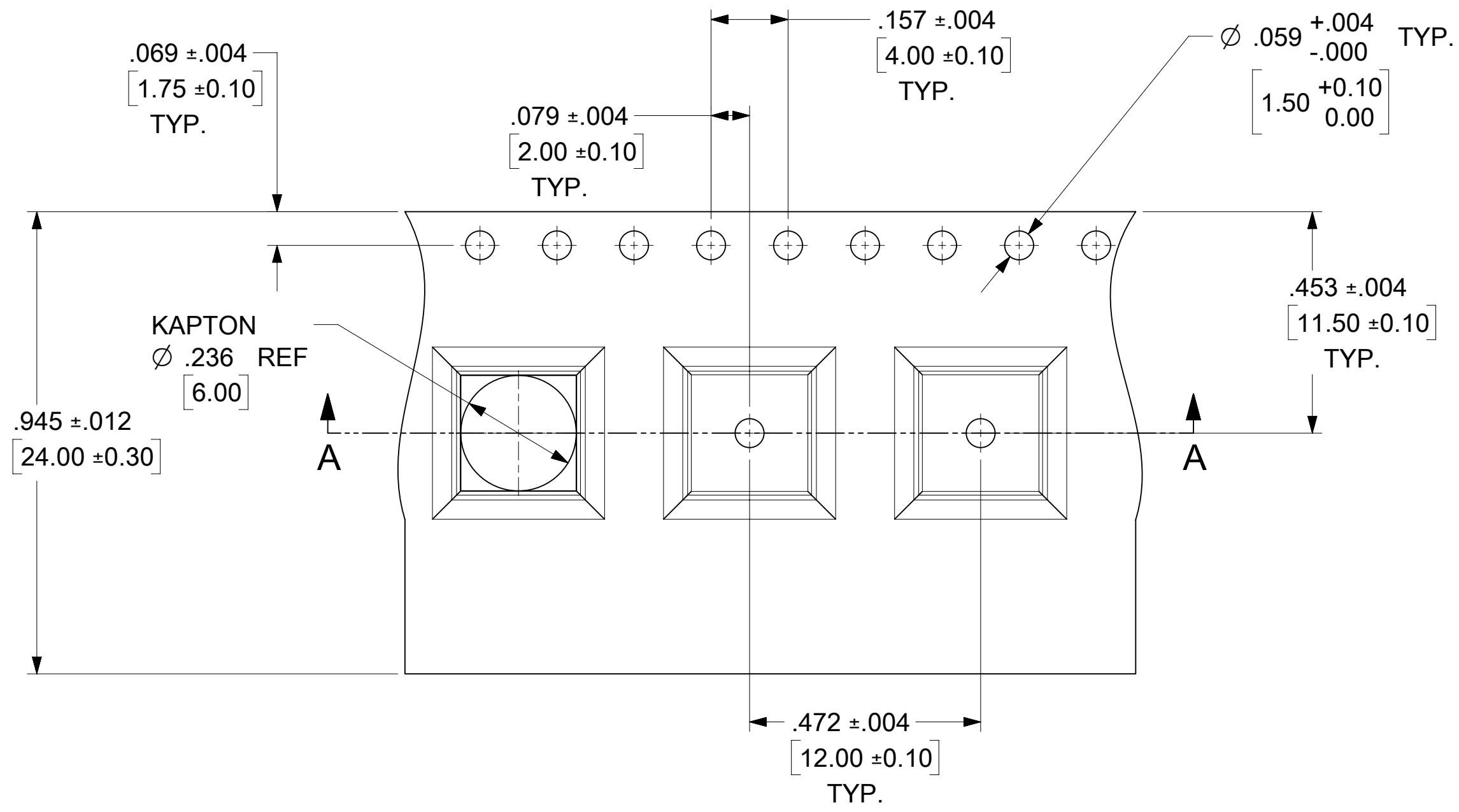


RECOMMENDED PCB LAYOUT

73366-1000	TAPE & REEL WITH KAPTON
PART NO.	PACKAGING

PS-89675-183	ELECTRO/MECH PERFORM.
SPECIFICATION	DESCRIPTION

FUNCTIONAL SYMBOLS	THIS DRAWING CONTAINS INFORMATION THAT IS PROPRIETARY TO MOLEX ELECTRONIC TECHNOLOGIES, LLC AND SHOULD NOT BE USED WITHOUT WRITTEN PERMISSION		CURRENT REV DESC: NEW RELEASE PER EWR15313-A				
	DIMENSION UNITS	SCALE					
FA = 0	INCH	NTS	GENERAL TOLERANCES (UNLESS SPECIFIED)		EC NO: 717618 DRWN: CWEI02 2022/07/04 CHK'D: YCHENG 2022/08/19 APPR: YCHENG 2022/08/19		
FB = 0			MM	INCH			
FD = 0			4 PLACES ±	± 0.005	INITIAL REVISION: DRWN: DRWN BY 0099/99/99 APPR: APPR BY 0099/99/99		
			3 PLACES ±	0.13 ± 0.01			
DIVISIONAL SYMBOLS			2 PLACES ±	0.25 ±	DOCUMENT NUMBER: 733661000 DOC TYPE: PSD DOC PART: 000 REVISION: A		
			1 PLACE ±	±			
			0 PLACES ±	±	MATERIAL NUMBER: SEE TABLE CUSTOMER: GENERAL MARKET SHEET NUMBER: 1 OF 3		
			ANGULAR TOL ±	°			
	DRAFT WHERE APPLICABLE MUST REMAIN WITHIN DIMENSIONS		THIRD ANGLE PROJECTION	DRAWING C-SIZE	SERIES 73366		

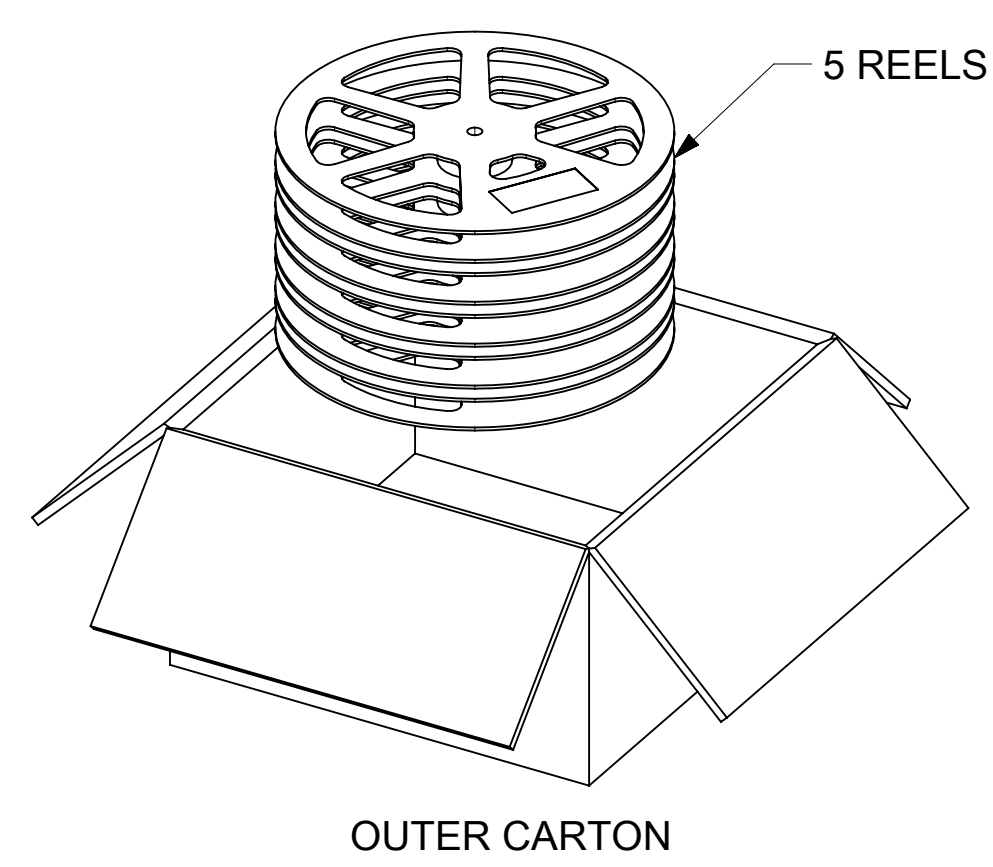
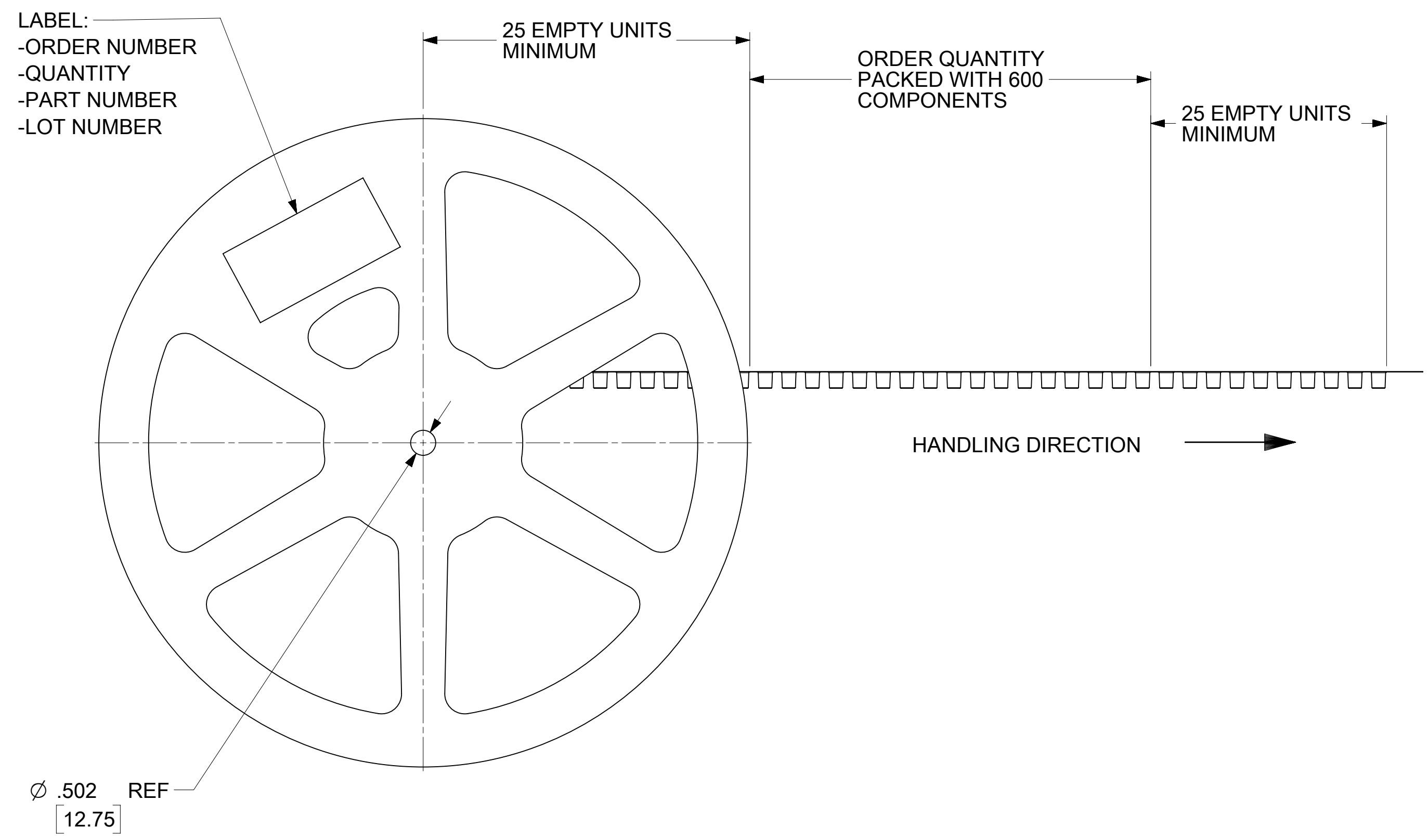
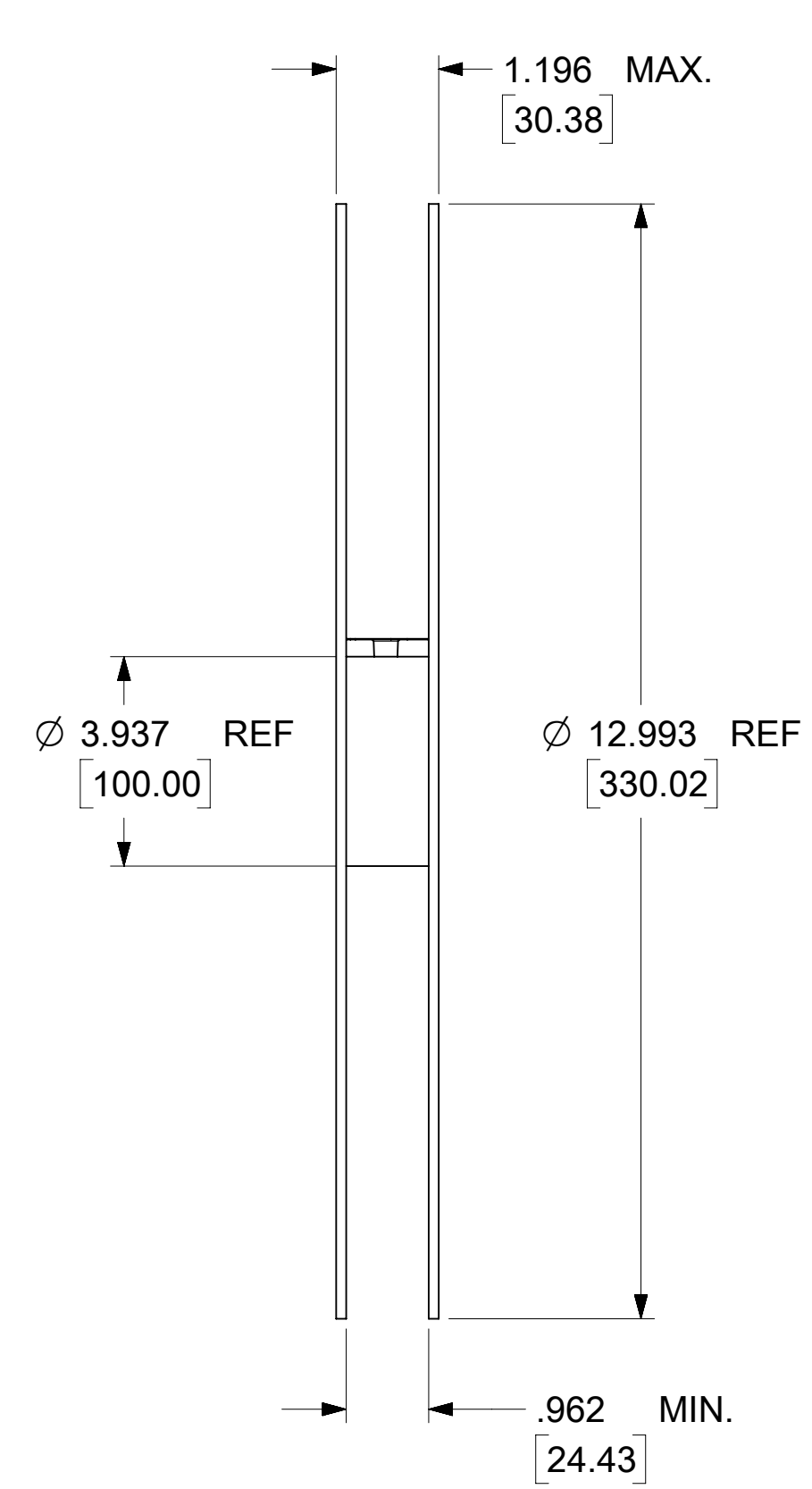


SECTION A-A

- NOTES:
1. MATERIAL: PS BLACK-THICKNESS: 0.40±0.05MM
 2. COMPONENT LOAD PER: 13" REEL: 600PCS
 3. 10 PITCHES CUMULATIVE TOLERANCE ±.008 (0.20)

FUNCTIONAL SYMBOLS	THIS DRAWING CONTAINS INFORMATION THAT IS PROPRIETARY TO MOLEX ELECTRONIC TECHNOLOGIES, LLC AND SHOULD NOT BE USED WITHOUT WRITTEN PERMISSION			
	DIMENSION UNITS	SCALE	CURRENT REV DESC: NEW RELEASE PER EWR15313-A	
$F_A = 0$	INCH	NTS	<p>EC NO: 717618 DRWN: CWEI02 2022/07/04 CHK'D: YCHENG 2022/08/19 APPR: YCHENG 2022/08/19</p> <p>INITIAL REVISION: DRWN: DRWN BY 0099/99/99 APPR: APPR BY 0099/99/99</p>	
$F_C = 0$	GENERAL TOLERANCES (UNLESS SPECIFIED)			
		MM		INCH
$F_P = 0$	4 PLACES	±		± 0.005
	3 PLACES	±		0.13 ± 0.01
DIVISIONAL SYMBOLS	2 PLACES	±		0.25 ±
	1 PLACE	±	±	
	0 PLACES	±	±	
	ANGULAR TOL	±	°	
	DRAFT WHERE APPLICABLE MUST REMAIN WITHIN DIMENSIONS	THIRD ANGLE PROJECTION	DRAWING C-SIZE SERIES 73366	

molex			
MCX JACK, VERTICAL, PCB, TH, 50 OHMS MCX-J/PCB, EWR15313			
PRODUCT CUSTOMER DRAWING			
DOCUMENT NUMBER	DOC TYPE	DOC PART	REVISION
733661000	PSD	000	A
MATERIAL NUMBER	CUSTOMER	SHEET NUMBER	
	GENERAL MARKET	2 OF 3	



OUTER CARTON, DIMENSION: 343 x 343 x 220 (mm)	3000/3000
EMBOSSED TAPE AND REEL	600/3000
PACKAGING DESCRIPTION	QTY

FUNCTIONAL SYMBOLS FA = 0 FC = 0 FD = 0	THIS DRAWING CONTAINS INFORMATION THAT IS PROPRIETARY TO MOLEX ELECTRONIC TECHNOLOGIES, LLC AND SHOULD NOT BE USED WITHOUT WRITTEN PERMISSION		CURRENT REV DESC: NEW RELEASE PER EWR15313-A		
	DIMENSION UNITS INCH	SCALE NTS			
DIVISIONAL SYMBOLS	GENERAL TOLERANCES (UNLESS SPECIFIED)		EC NO: 717618		MCX JACK, VERTICAL, PCB,TH, 50 OHMS MCX-J/PCB, EWR15313
		MM	INCH		
	4 PLACES ±		± 0.005	DRWN: CWEI02 2022/07/04	PRODUCT CUSTOMER DRAWING DOCUMENT NUMBER: 733661000 DOC TYPE: PSD DOC PART: 000 REVISION: A
	3 PLACES ±	0.13	± 0.01	CHK'D: YCHENG 2022/08/19	
	2 PLACES ±	0.25	±	APPR: YCHENG 2022/08/19	INITIAL REVISION: DRWN: DRWN BY 0099/99/99 APPR: APPR BY 0099/99/99
	1 PLACE ±		±		
	0 PLACES ±		±		MATERIAL NUMBER: 73366 CUSTOMER: GENERAL MARKET SHEET NUMBER: 3 OF 3
	ANGULAR TOL ±		°		
	DRAFT WHERE APPLICABLE MUST REMAIN WITHIN DIMENSIONS	THIRD ANGLE PROJECTION		DRAWING: C-SIZE	SERIES: 73366