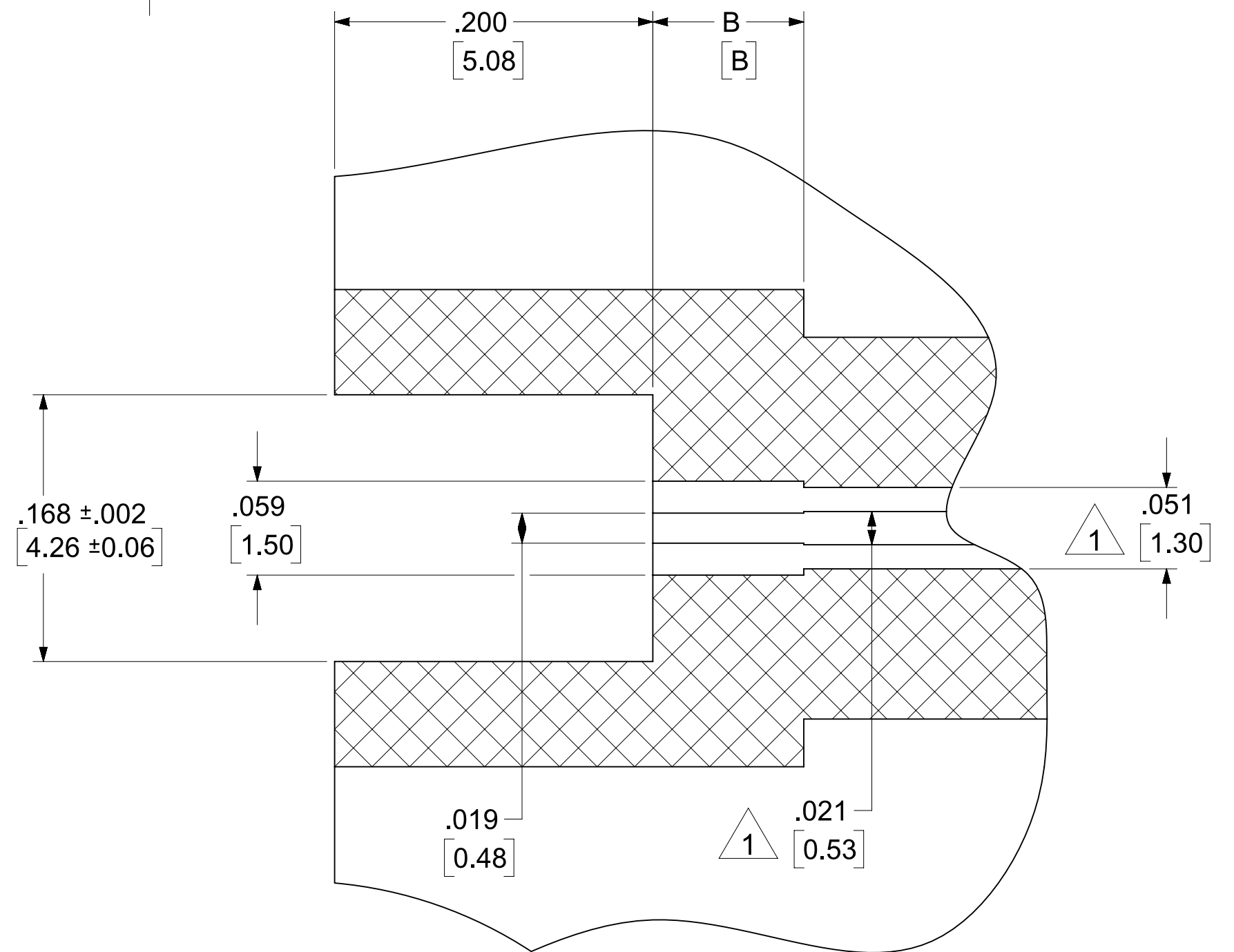
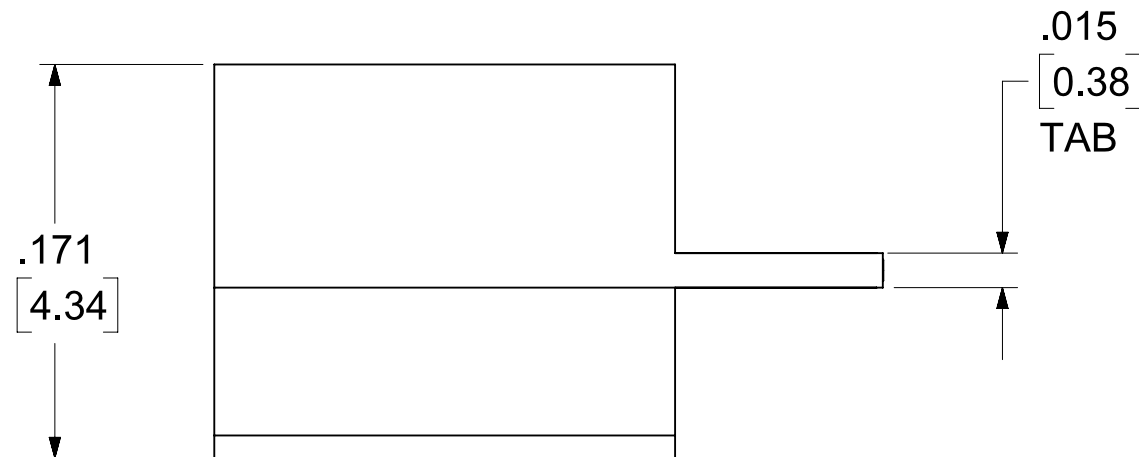
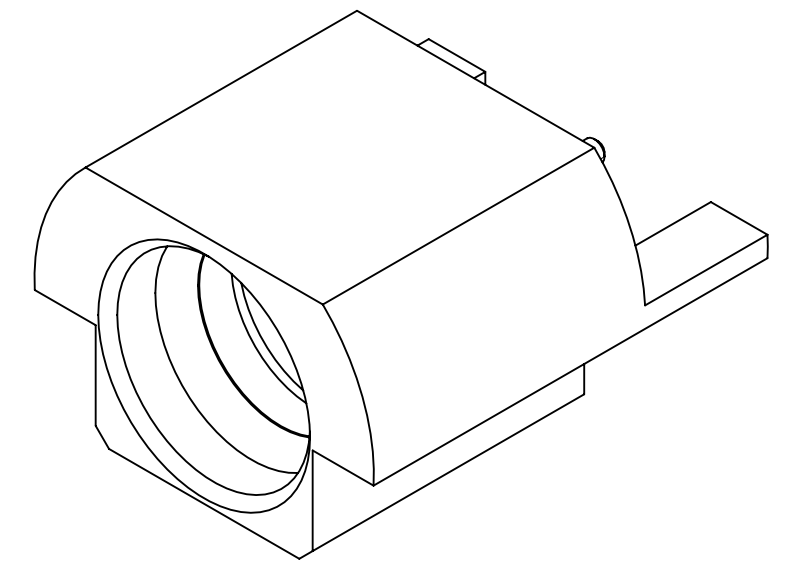
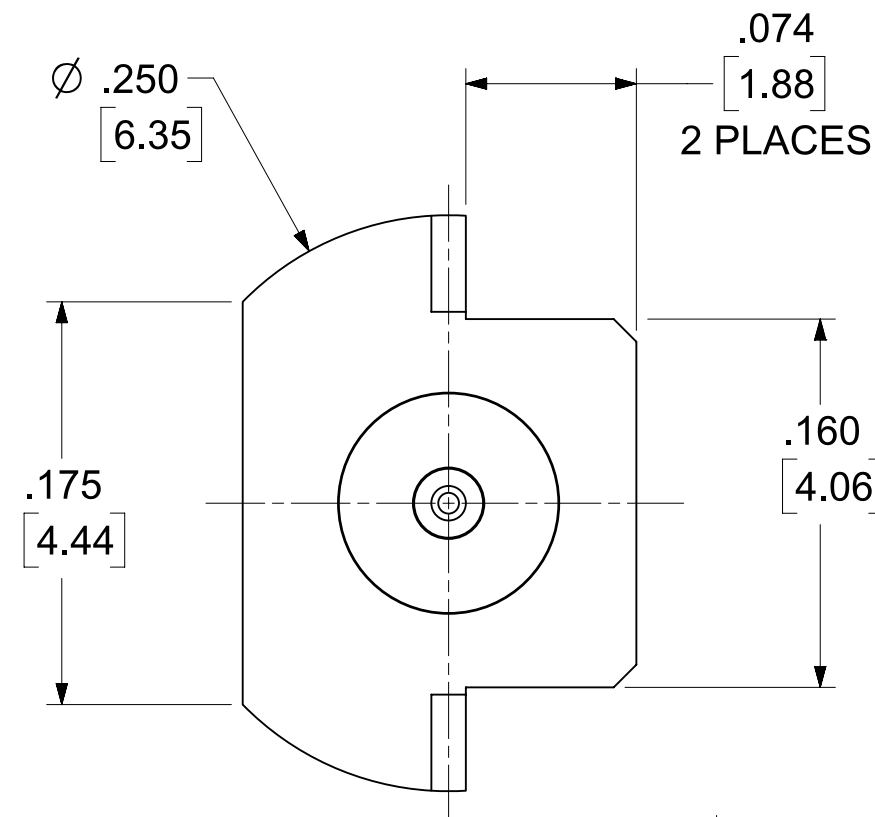
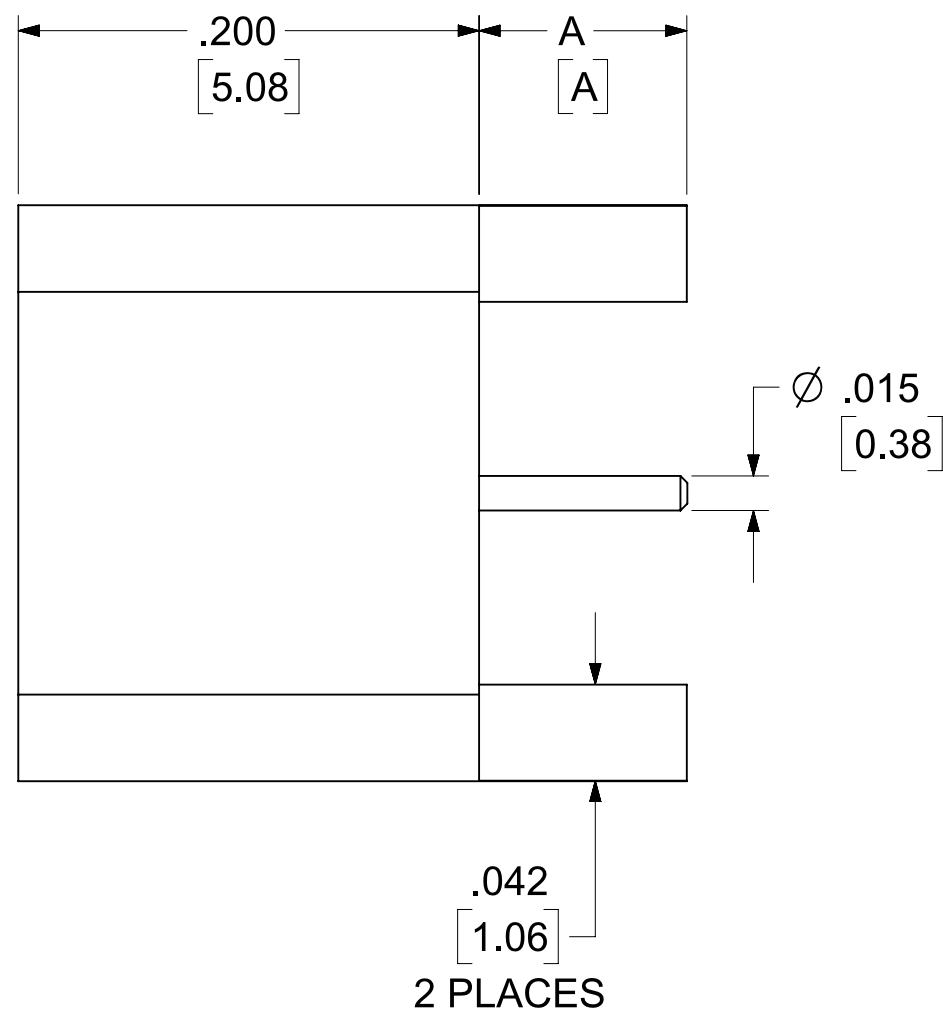


MATERIALS AND FINISHES:

BODY: BRASS  
 PLATED GOLD  
 SEE TABLE FOR THICKNESS

CENTER CONTACT: BRASS  
 PLATED GOLD

INSULATOR: PTFE



RECOMMENDED PCB LAYOUT

1 DIMENSIONS APPLICATION FOR ROGERS 4350 PCB MATERIAL ONLY

LABEL FORMAT FOR  
 0734153597

PART NUMBER: 0734153594  
 ORDER NUMBER: 0734153597  
 MOLEX  
 DATE: YYWW

LABEL FORMAT FOR  
 0734153595

PART NUMBER: 0734153591  
 ORDER NUMBER: 0734153595  
 MOLEX  
 DATE: YYWW

0734153598	.090 REF	2.29 REF	.095	2.41	10 u" GOLD	0734153590 TAPE AND REEL	SEE SHEETS 2 & 3
0734153597	.090 REF	2.29 REF	.095	2.41	30 u" GOLD	0734153594 ONE PER BAG	895420470
0734153596	.050 REF	1.27 REF	.055	1.40	10 u" GOLD	0734153591 TAPE AND REEL	SEE SHEETS 2 & 3
0734153595						0734153591 ONE PER BAG	895420088
0734153594	.090 REF	2.29 REF	.095	2.41	30 u" GOLD	0734153594 TRAY	895420040
0734153593	.050 REF	1.27 REF	.055	1.40	10 u" GOLD	0734153591 SMALL TRAY	895420060
0734153592	.090 REF	2.29 REF	.095	2.41		0734153590 SMALL TRAY	
0734153591	.050 REF	1.27 REF	.055	1.40		0734153591 TRAY	895420040
0734153590	.090 REF	2.29 REF	.095	2.41		0734153590 TRAY	
PART NO.	IN	MM	IN	MM	BODY PLATING	DESCRIPTION	PACKING SPEC
	DIM A		DIM B				

PS-89675-3320	PRODUCT SPECIFICATION
MIL-STD-348A, FIG. 326-3	INTERFACE
SPECIFICATION	DESCRIPTION

FUNCTIONAL SYMBOLS FA = 0 FC = 0 FP = 0	THIS DRAWING CONTAINS INFORMATION THAT IS PROPRIETARY TO MOLEX ELECTRONIC TECHNOLOGIES, LLC AND SHOULD NOT BE USED WITHOUT WRITTEN PERMISSION		CURRENT REV DESC: ADD P/N 0734153598 FOR TAPE & REEL OPTION FOR 0734153590	
	DIMENSION UNITS	SCALE		
	INCH/MM	NTS		
	GENERAL TOLERANCES (UNLESS SPECIFIED)			
ANGULAR TOL ± 2°				
4 PLACES ±				
3 PLACES ±				
2 PLACES ±				
1 PLACE ±				
0 PLACES ±				
DIVISIONAL SYMBOLS	DRAFT WHERE APPLICABLE MUST REMAIN WITHIN DIMENSIONS		THIRD ANGLE PROJECTION	DRAWING
			STATUS: Production	DRWN: Les Meier
			CHK'D: Jason Deren	2025-10-21
			APPR: Kevin Tagan	2025-10-23
		C-SIZE	SERIES	DOCUMENT NUMBER
			73415	SD-73415-359
				PSD 001 A10
				SHEET NUMBER
				1 OF 3

**molex**

SMP PLUG, PCB EDGE MOUNT 50 OHMS  
 LIMITED DETENT EWR-17451

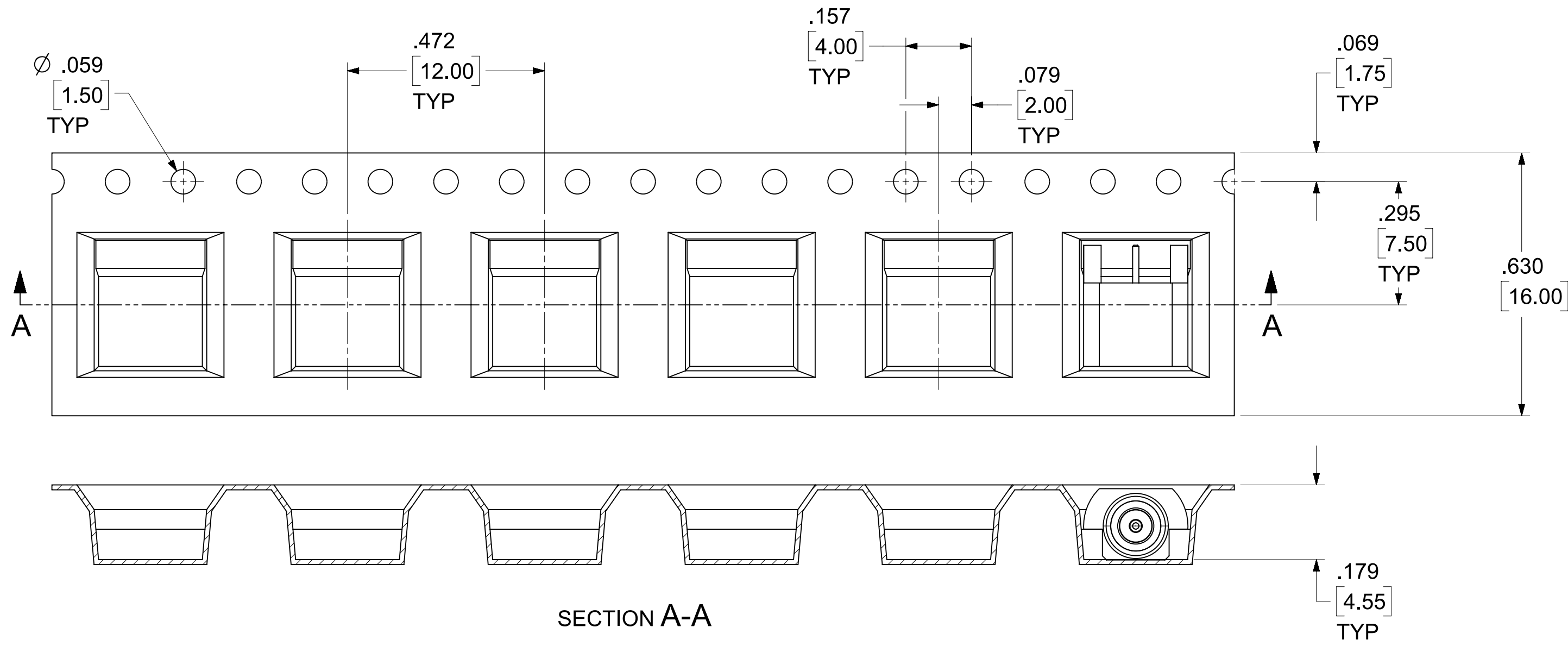
PRODUCT CUSTOMER DRAWING

DOCUMENT NUMBER DOC TYPE DOC PART REVISION

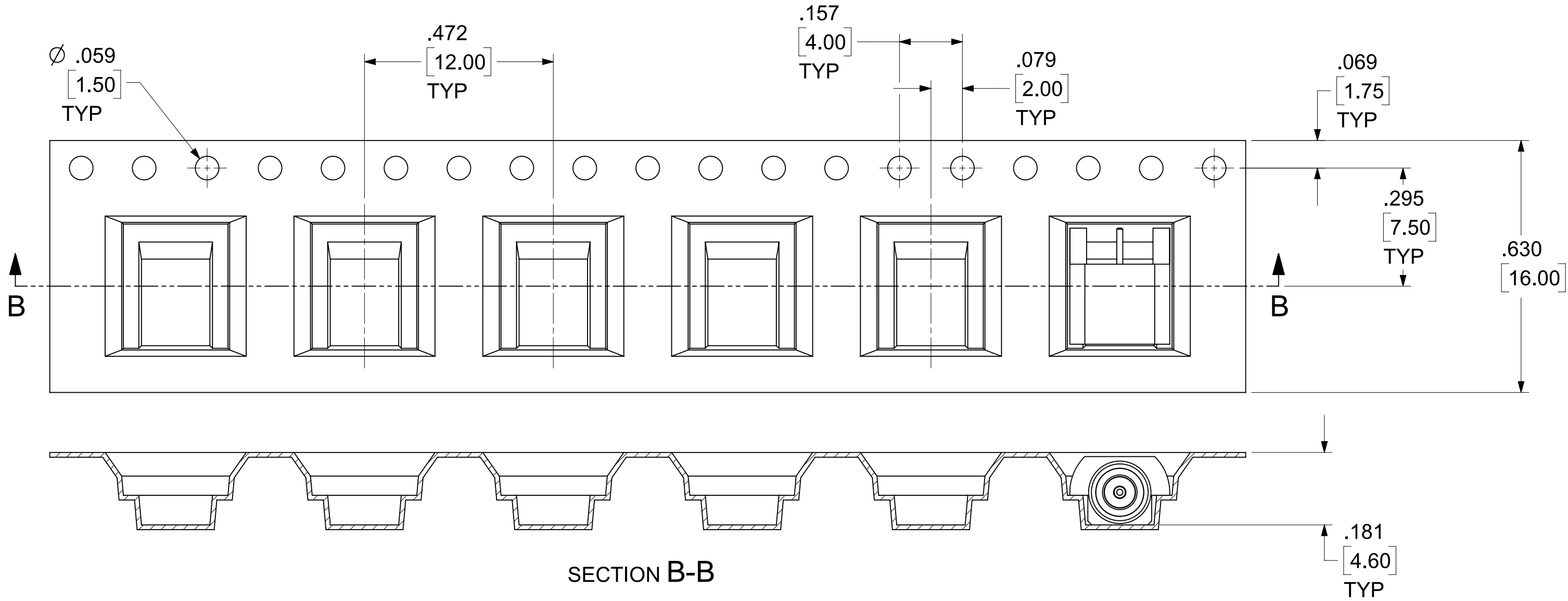
SD-73415-359 PSD 001 A10

MATERIAL NUMBER CUSTOMER SHEET NUMBER

SEE TABLE GENERAL MARKET 1 OF 3



SECTION A-A  
VIEWS FOR 0734153596



SECTION B-B  
VIEWS FOR 0734153598

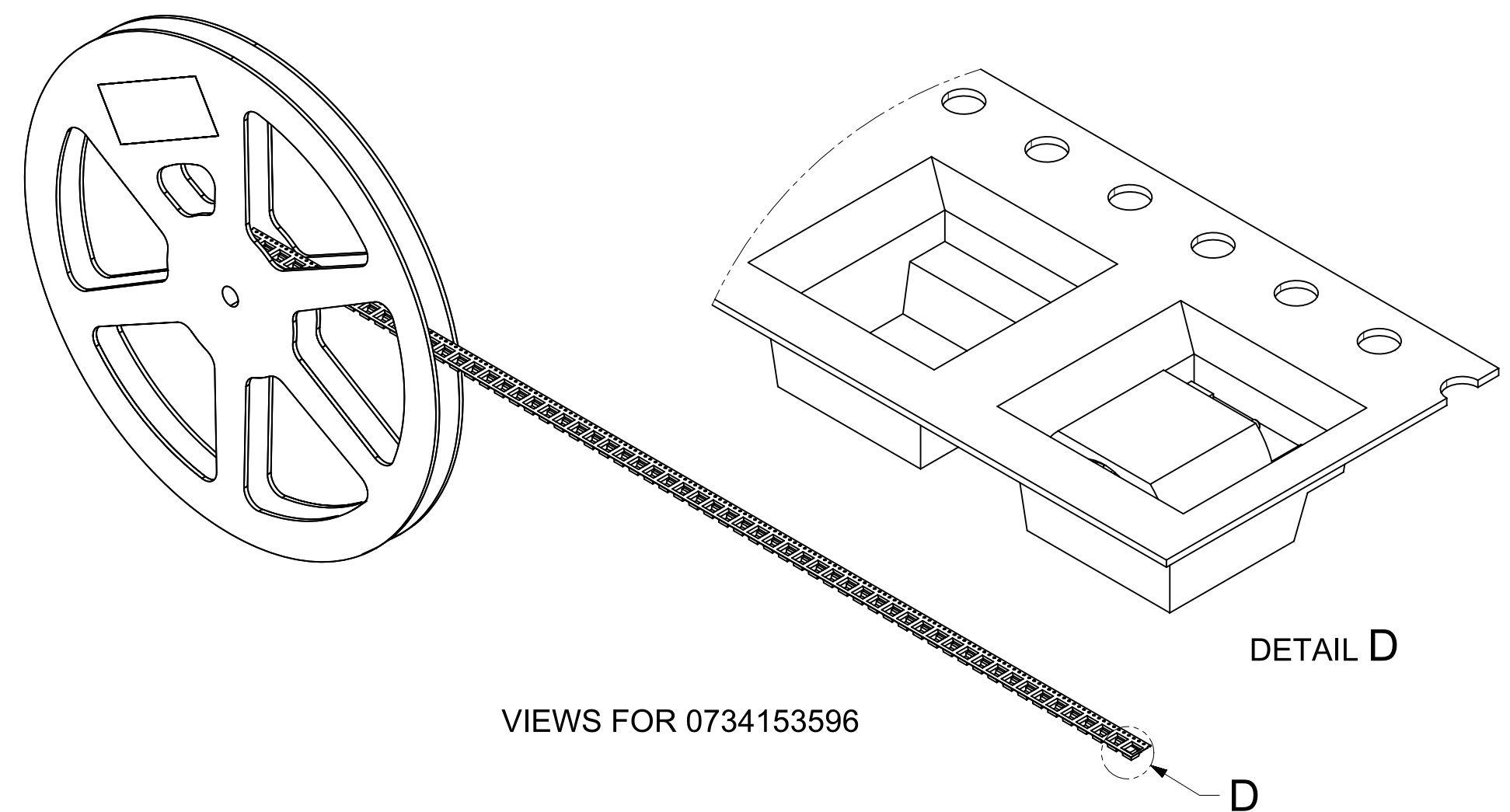
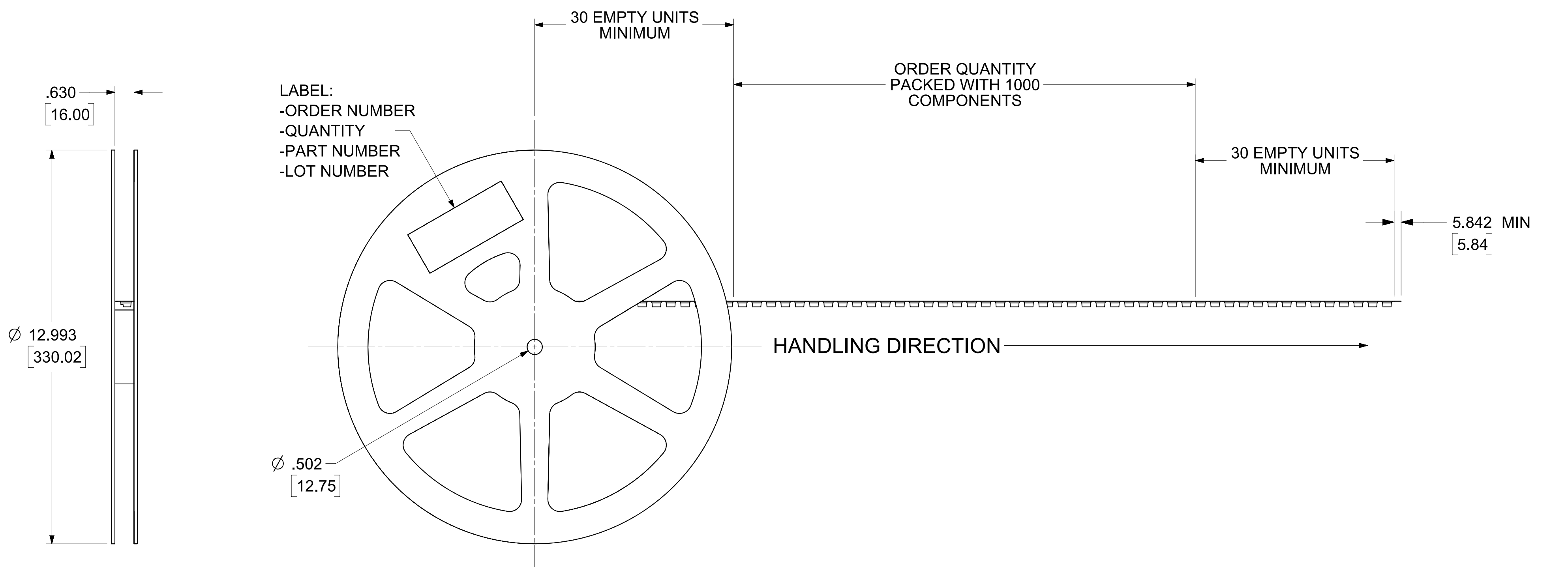
<b>FUNCTIONAL SYMBOLS</b> $\nabla_A = 0$ $\nabla_C = 0$ $\nabla_P = 0$	THIS DRAWING CONTAINS INFORMATION THAT IS PROPRIETARY TO MOLEX ELECTRONIC TECHNOLOGIES, LLC AND SHOULD NOT BE USED WITHOUT WRITTEN PERMISSION		CURRENT REV DESC: ADD P/N 0734153598 FOR TAPE & REEL OPTION FOR 0734153590	
	DIMENSION UNITS	SCALE		
	INCH/MM	NTS		
	GENERAL TOLERANCES (UNLESS SPECIFIED)			
ANGULAR TOL $\pm 2^\circ$				
4 PLACES $\pm$				
3 PLACES $\pm$				
2 PLACES $\pm$				
1 PLACE $\pm$				
0 PLACES $\pm$				
<b>DIVISIONAL SYMBOLS</b>				
DRAFT WHERE APPLICABLE MUST REMAIN WITHIN DIMENSIONS		THIRD ANGLE PROJECTION	DRAWING	SERIES
			C-SIZE	73415
		STATUS: Production	DRWN: Les Meier	2025-10-21
		CHK'D: Jason Deren	APPR: Kevin Tagan	2025-10-23
				2025-10-23
		MATERIAL NUMBER		CUSTOMER
		SEE TABLE		GENERAL MARKET
		DOCUMENT NUMBER		DOC TYPE   DOC PART   REVISION
		SD-73415-359		PSD   001   A10
		SHEET NUMBER		2 OF 3

**molex**

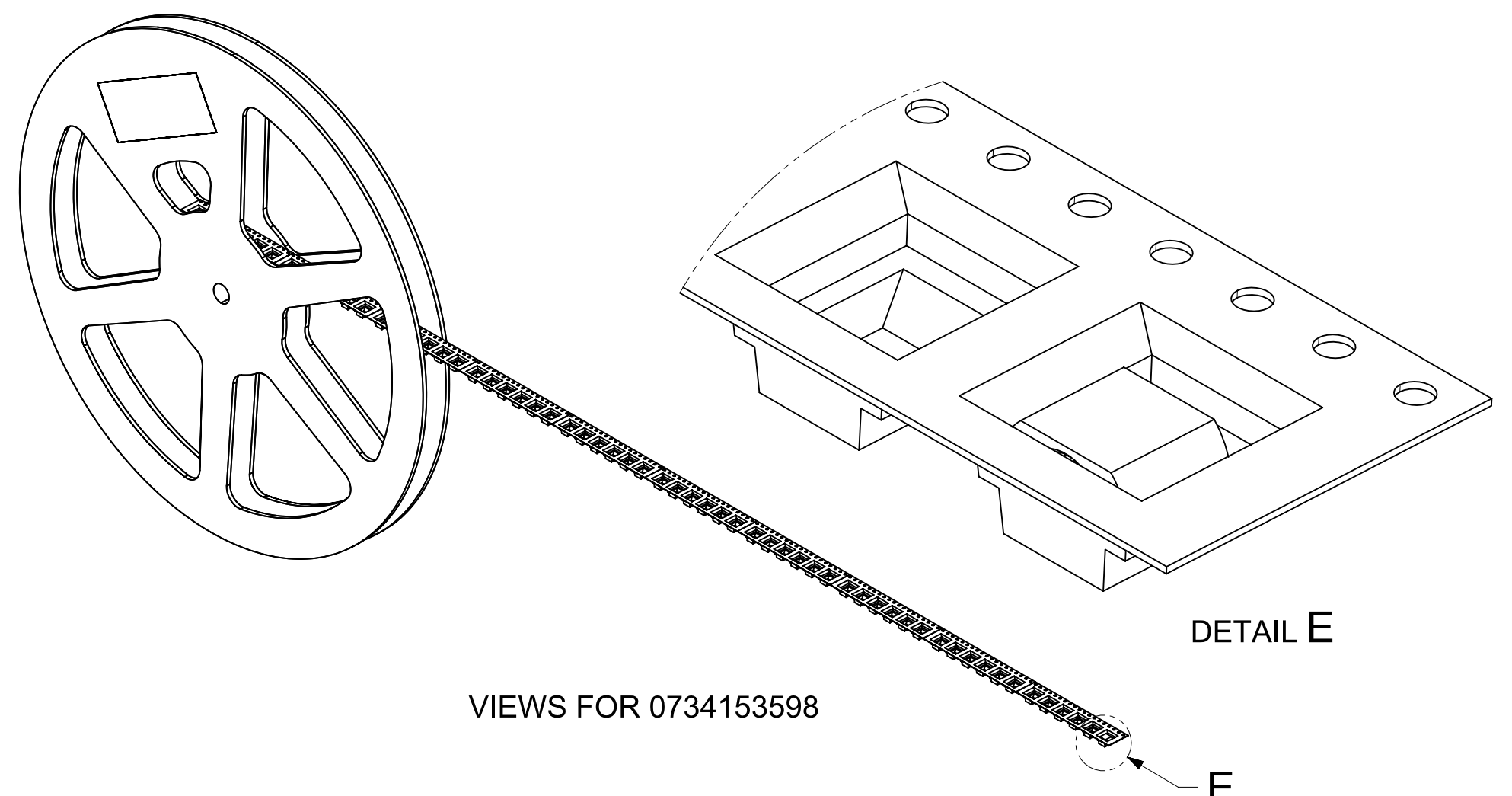
SMP PLUG, PCB EDGE MOUNT 50 OHMS  
LIMITED DETENT EWR-17451

PRODUCT CUSTOMER DRAWING

2025-10-21  
2025-10-23  
2025-10-23



VIEWS FOR 0734153596



VIEWS FOR 0734153598

<b>FUNCTIONAL SYMBOLS</b> $\nabla_A = 0$ $\nabla_E = 0$ $\nabla_P = 0$ <b>DIVISIONAL SYMBOLS</b>	THIS DRAWING CONTAINS INFORMATION THAT IS PROPRIETARY TO MOLEX ELECTRONIC TECHNOLOGIES, LLC AND SHOULD NOT BE USED WITHOUT WRITTEN PERMISSION		CURRENT REV DESC: ADD P/N 0734153598 FOR TAPE & REEL OPTION FOR 0734153590					
	DIMENSION UNITS	SCALE	<b>molex</b> SMP PLUG, PCB EDGE MOUNT 50 OHMS LIMITED DETENT EWR-17451 PRODUCT CUSTOMER DRAWING					
	INCH/MM	NTS						
	GENERAL TOLERANCES (UNLESS SPECIFIED)							
	ANGULAR TOL ± 2°		STATUS: Production					
4 PLACES ±		DRWN: Les Meier						
3 PLACES ±		CHK'D: Jason Deren						
2 PLACES ±		APPR: Kevin Tagan						
1 PLACE ±		2025-10-21						
0 PLACES ±		2025-10-23						
DRAFT WHERE APPLICABLE MUST REMAIN WITHIN DIMENSIONS		THIRD ANGLE PROJECTION	DRAWING	SERIES	DOCUMENT NUMBER	DOC TYPE	DOC PART	REVISION
			C-SIZE	73415	SD-73415-359	PSD	001	A10
					SEE TABLE	GENERAL MARKET		SHEET NUMBER
								3 OF 3