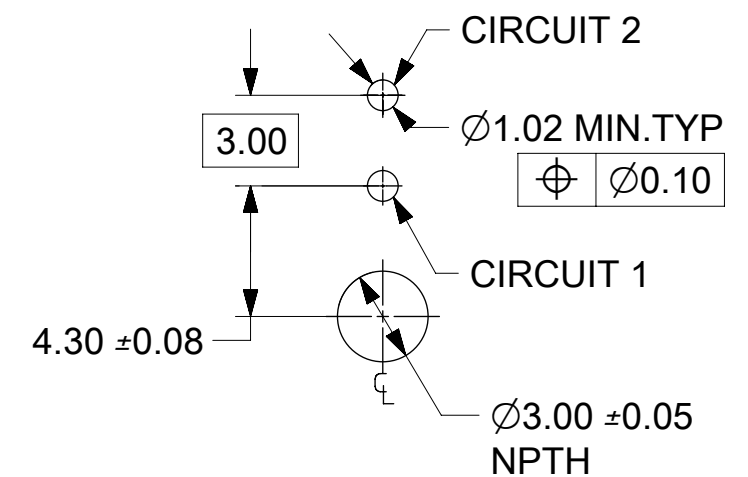
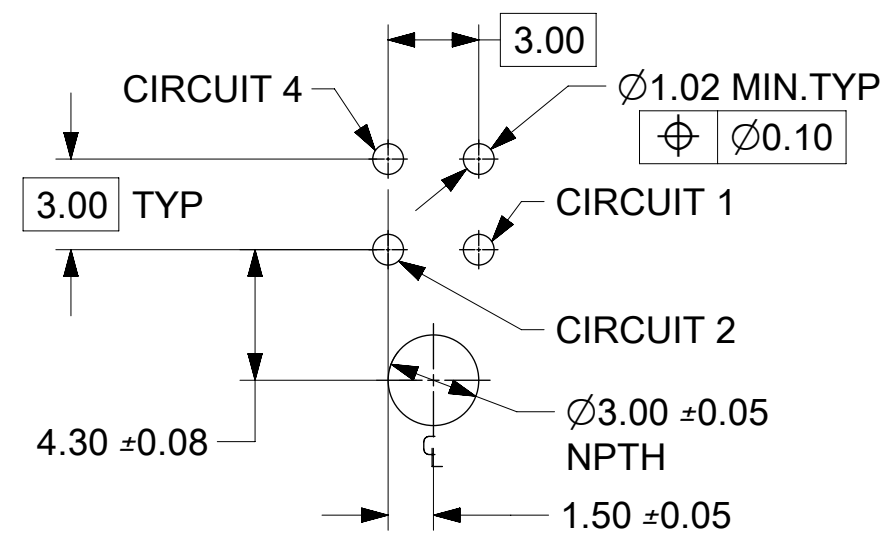
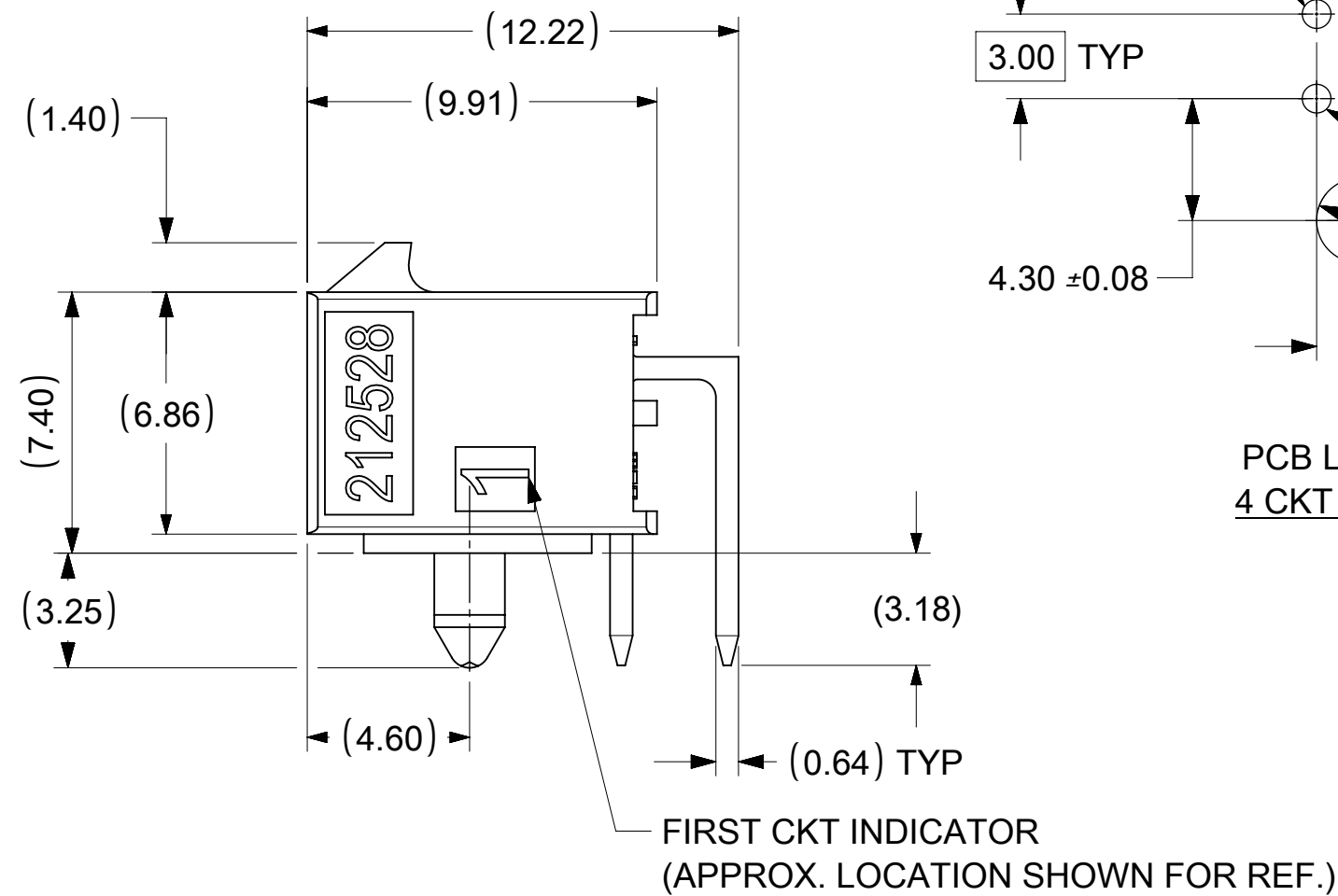
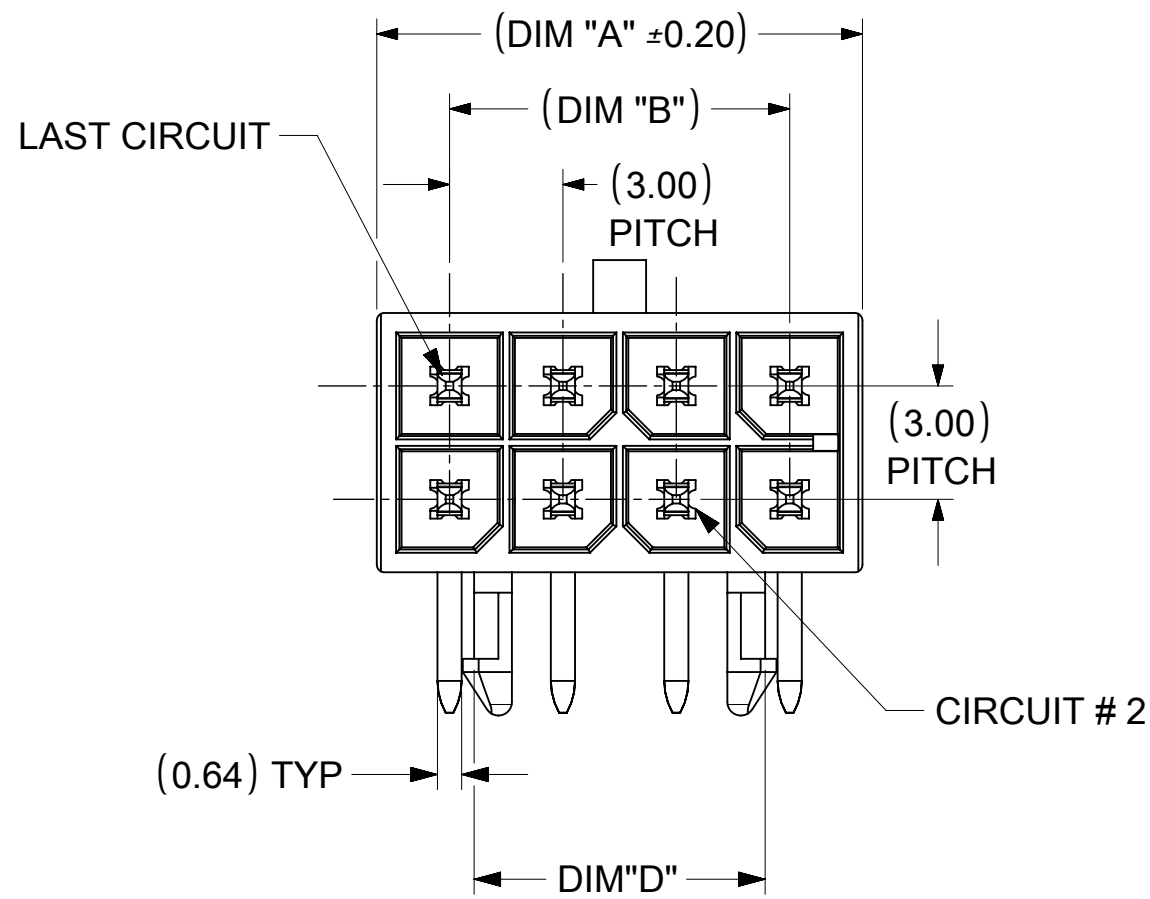


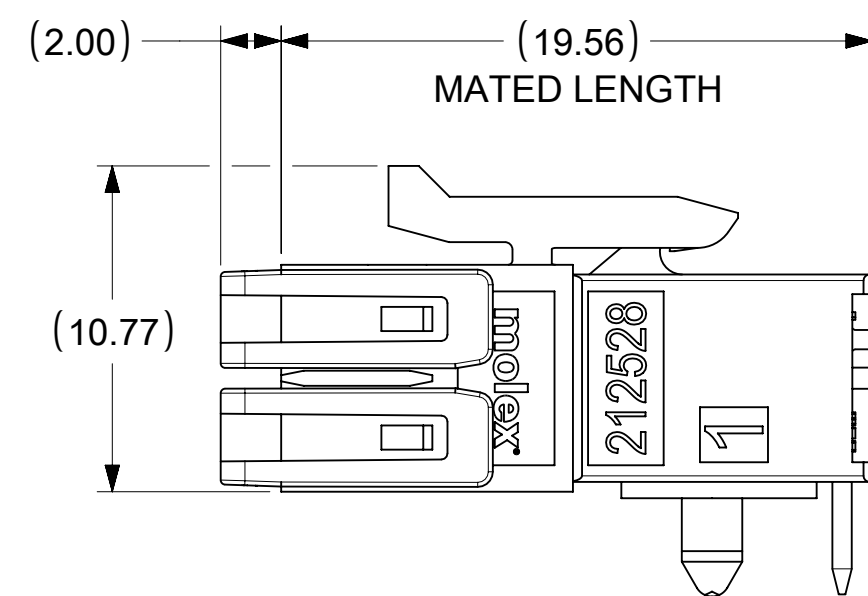
PCB LAYOUT: COMPONENT SIDE
RECOMMEND PCB THICKNESS: 1.57mm

PCB LAYOUT:
6 CKT HEADER



PCB LAYOUT:
4 CKT HEADER

PCB LAYOUT:
2 CKT HEADER



CKT	A	B	C	D
2	3.85	NA	NA	2.95
4	6.85	3.00	NA	2.95
6	9.85	6.00	NA	2.95
8	12.85	9.00	4.70	7.70
10	15.85	12.00	7.70	10.70
12	18.85	15.00	10.70	13.70
14	21.85	18.00	13.70	16.70
16	24.85	21.00	16.70	19.70
18	27.85	24.00	19.70	22.70
20	30.85	27.00	22.70	25.70
22	33.85	30.00	25.70	28.70
24	36.85	33.00	28.70	31.70

NOTES:


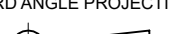
- HOSING MATERIAL: GLASS FILLED LIQUID CRYSTAL POLYMER, UL 94V-0, COLOR: SEE CHART
TERMINAL MATERIAL: HIGH COPPER ALLOY
- FINISH:
 - OPTION 1: 1.52µm MIN REFLOW MATTE TIN, OVER 1.25µm MIN NICKEL OVERALL.
 - OPTION 2: 0.38µm MIN GOLD CONTACT AREA, 1.52µm MIN MATTE TIN TAIL AREA, OVER 1.25µm MIN NICKEL OVERALL.
 - OPTION 3: 0.76µm MIN GOLD CONTACT AREA, 1.52µm MIN MATTE TIN TAIL AREA, OVER 1.25µm MIN NICKEL OVERALL.
- PRODUCT SPECIFICATION : 2064600000-PS
- PRODUCT TEST SUMMARY: 2064600000-TS
- TRAY PACK : 2125280000-PK
- MATE WITH RECEPTACLE 206461
- THIS PART CONFORMS TO CLASS 'B' REQUIREMENTS OF COSMETIC SPECIFICATION PS-45499-002.

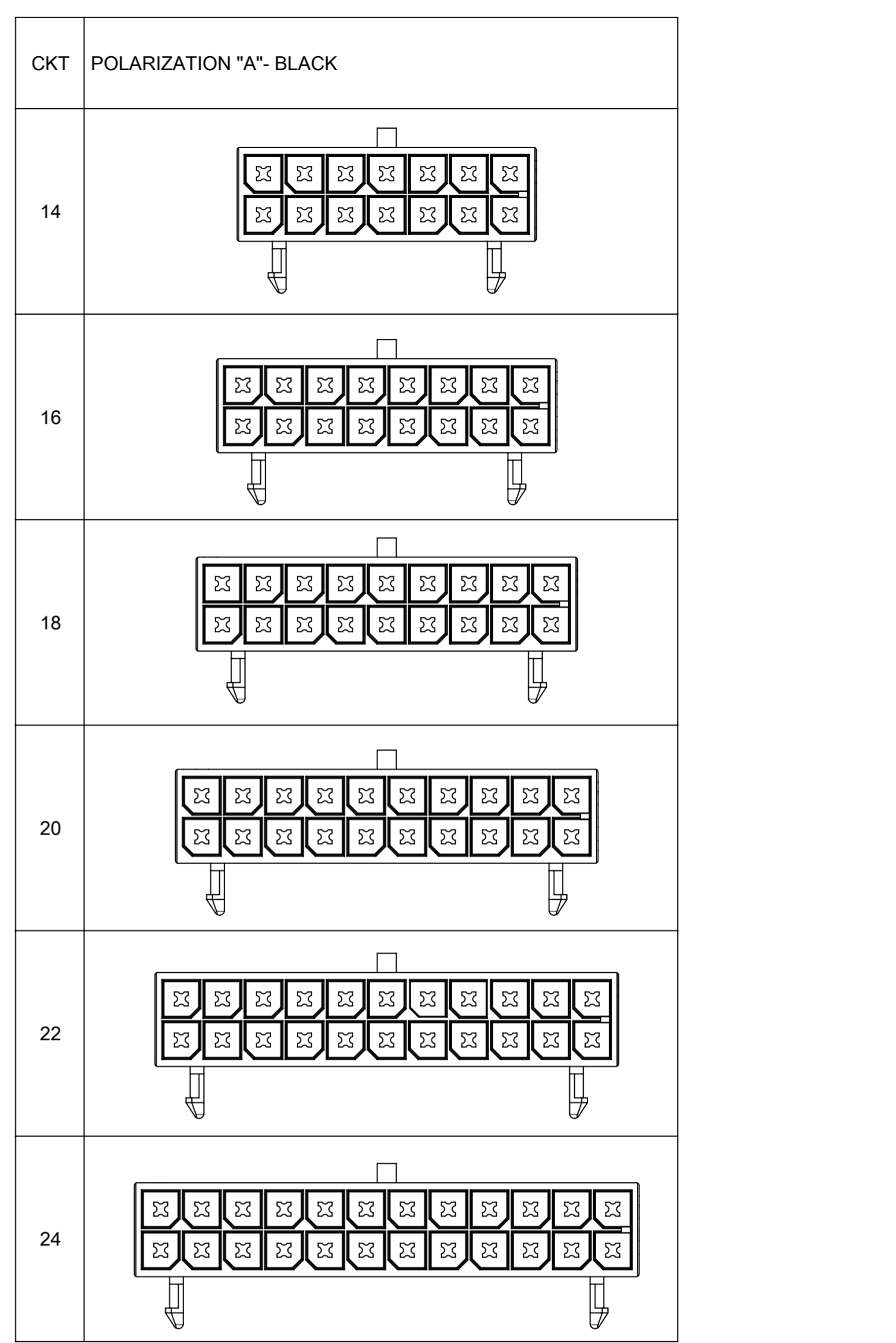
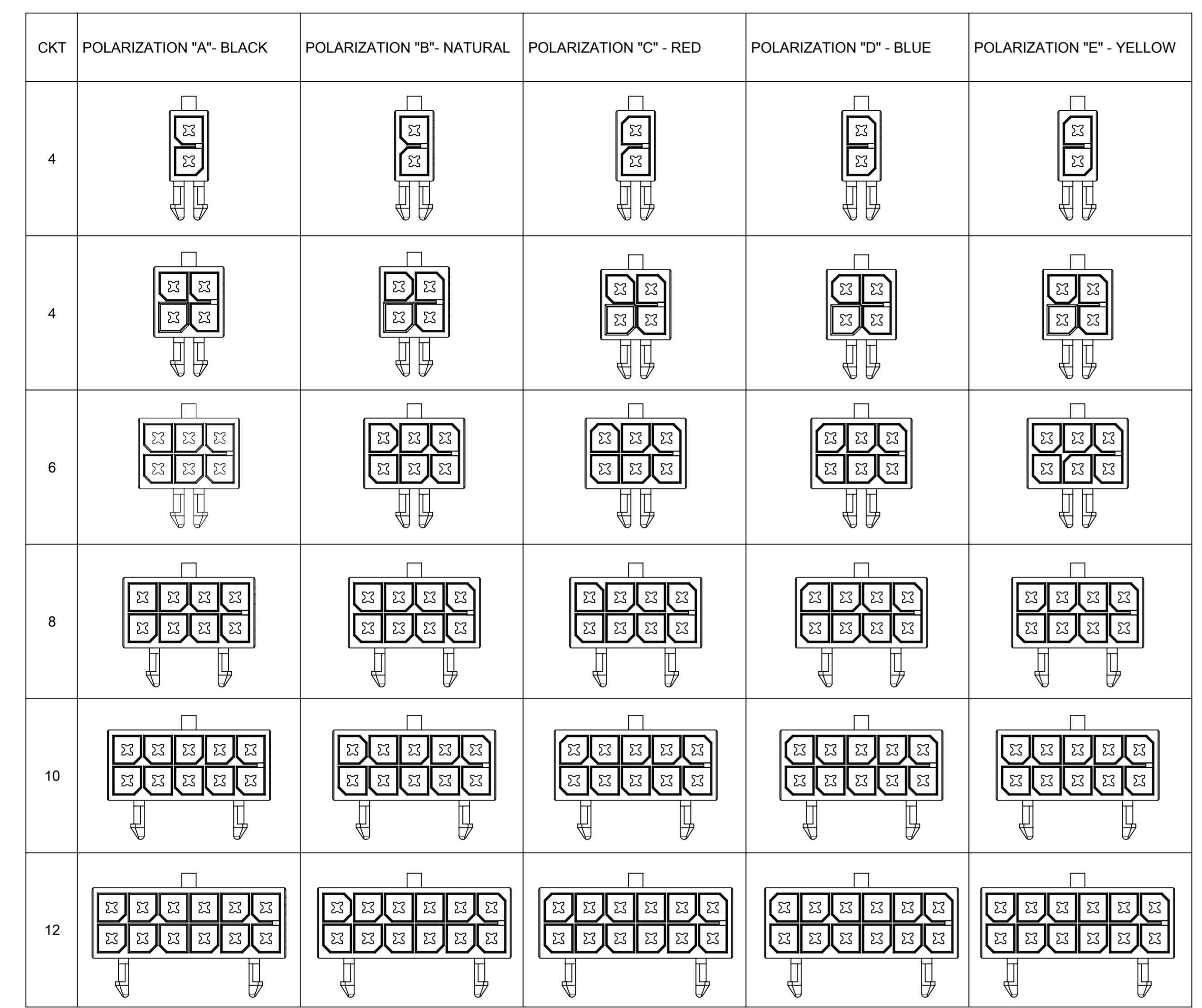
THIS DRAWING CONTAINS INFORMATION THAT IS PROPRIETARY TO MOLEX ELECTRONIC TECHNOLOGIES, LLC AND SHOULD NOT BE USED WITHOUT WRITTEN PERMISSION

DIMENSION UNITS	SCALE	CURRENT REV DESC:	molex					
mm	NTS							
GENERAL TOLERANCES (UNLESS SPECIFIED)			MICRO-FIT + DUAL ROW R/A HEADER ASSY.					
ANGULAR TOL	±	°						
4 PLACES	±		PRODUCT CUSTOMER DRAWING					
3 PLACES	±							
2 PLACES	±	0.25	DOCUMENT NUMBER					
1 PLACE	±	0.36						
0 PLACES	±		2125280000					
DRAFT WHERE APPLICABLE MUST REMAIN WITHIN DIMENSIONS			THIRD ANGLE PROJECTION	DRAWING	SERIES	MATERIAL NUMBER	CUSTOMER	SHEET NUMBER
				C-SIZE	212528	SEE TABLE	GENERAL MARKET	1 OF 3

TRAY PACKAGING					
CKT	POLARIZATION	COLOR	TIN PLATING HDR ASSY PN	15 MICRO INCH GOLD HDR ASSY PN	30 MICRO INCH GOLD HDR ASSY PN
2	A	BLACK	2125280200	2125280201	2125280202
	B	NATURAL	2125280210	2125280211	2125280212
	C	RED	2125280220	2125280221	2125280222
	D	BLUE	2125280230	2125280231	2125280232
	E	YELLOW	2125280240	2125280241	2125280242
4	A	BLACK	2125280400	2125280401	2125280402
	B	NATURAL	2125280410	2125280411	2125280412
	C	RED	2125280420	2125280421	2125280422
	D	BLUE	2125280430	2125280431	2125280432
	E	YELLOW	2125280440	2125280441	2125280442
6	A	BLACK	2125280600	2125280601	2125280602
	B	NATURAL	2125280610	2125280611	2125280612
	C	RED	2125280620	2125280621	2125280622
	D	BLUE	2125280630	2125280631	2125280632
	E	YELLOW	2125280640	2125280641	2125280642
8	A	BLACK	2125280800	2125280801	2125280802
	B	NATURAL	2125280810	2125280811	2125280812
	C	RED	2125280820	2125280821	2125280822
	D	BLUE	2125280830	2125280831	2125280832
	E	YELLOW	2125280840	2125280841	2125280842
10	A	BLACK	2125281000	2125281001	2125281002
	B	NATURAL	2125281010	2125281011	2125281012
	C	RED	2125281020	2125281021	2125281022
	D	BLUE	2125281030	2125281031	2125281032
	E	YELLOW	2125281040	2125281041	2125281042
12	A	BLACK	2125281200	2125281201	2125281202
	B	NATURAL	2125281210	2125281211	2125281212
	C	RED	2125281220	2125281221	2125281222
	D	BLUE	2125281230	2125281231	2125281232
	E	YELLOW	2125281240	2125281241	2125281242
14	A	BLACK	2125281400	2125281401	2125281402
16	A	BLACK	2125281600	2125281601	2125281602
18	A	BLACK	2125281800	2125281801	2125281802
20	A	BLACK	2125282000	2125282001	2125282002
22	A	BLACK	2125282200	2125282201	2125282202
24	A	BLACK	2125282400	2125282401	2125282402

TAPE & REEL PACKAGING					
CKT	POLARIZATION	COLOR	TIN PLATING HDR ASSY PN	15 MICRO INCH GOLD HDR ASSY PN	30 MICRO INCH GOLD HDR ASSY PN
2	A	BLACK	2125280290	2125280291	2125280292
4	A	BLACK	2125280490	2125280491	2125280492
6	A	BLACK	2125280690	2125280691	2125280692
8	A	BLACK	2125280890	2125280891	2125280892
10	A	BLACK	2125281090	2125281091	2125281092
12	A	BLACK	2125281290	2125281291	2125281292
14	A	BLACK	2125281490	2125281491	2125281492
16	A	BLACK	2125281690	2125281691	2125281692
18	A	BLACK	2125281890	2125281891	2125281892
20	A	BLACK	2125282090	2125282091	2125282092
22	A	BLACK	2125282290	2125282291	2125282292
24	A	BLACK	2125282490	2125282491	2125282492

THIS DRAWING CONTAINS INFORMATION THAT IS PROPRIETARY TO MOLEX ELECTRONIC TECHNOLOGIES, LLC AND SHOULD NOT BE USED WITHOUT WRITTEN PERMISSION															
DIMENSION UNITS		SCALE		CURRENT REV DESC:											
mm		NTS													
GENERAL TOLERANCES (UNLESS SPECIFIED)				EC NO: 850511 DRWN: ZIXUAQ 2026/02/05 CHK'D: XQZHANG 2026/03/17 APPR: XQZHANG 2026/03/17 INITIAL REVISION: DRWN: MUM 2019/03/08 APPR: AYIN 2019/09/27				MICRO-FIT + DUAL ROW R/A HEADER ASSY.							
ANGULAR TOL ± °								PRODUCT CUSTOMER DRAWING							
4 PLACES ±								DOCUMENT NUMBER		DOC TYPE		DOC PART		REVISION	
3 PLACES ±								2125280000		PSD		000		C1	
2 PLACES ± 0.25								MATERIAL NUMBER		CUSTOMER		SHEET NUMBER			
1 PLACE ± 0.36				SEE TABLE		GENERAL MARKET		2 OF 3							
0 PLACES ±															
DRAFT WHERE APPLICABLE MUST REMAIN WITHIN DIMENSIONS				THIRD ANGLE PROJECTION		DRAWING		SERIES							
						C-SIZE		212528							



THIS DRAWING CONTAINS INFORMATION THAT IS PROPRIETARY TO MOLEX ELECTRONIC TECHNOLOGIES, LLC AND SHOULD NOT BE USED WITHOUT WRITTEN PERMISSION

DIMENSION UNITS	SCALE	CURRENT REV DESC:		molex					
mm	NTS								
GENERAL TOLERANCES (UNLESS SPECIFIED)				MICRO-FIT + DUAL ROW R/A HEADER ASSY.					
ANGULAR TOL	±	°							
4 PLACES	±	EC NO: 850511		PRODUCT CUSTOMER DRAWING					
3 PLACES	±	DRWN: ZIXUAQ 2026/02/05							
2 PLACES	±	CHK'D: XQZHANG 2026/03/17		DOCUMENT NUMBER					
1 PLACE	±	APPR: XQZHANG 2026/03/17							
0 PLACES	±	INITIAL REVISION:		2125280000					
DRAFT WHERE APPLICABLE MUST REMAIN WITHIN DIMENSIONS		DRWN: MUM 2019/03/08							
		APPR: AYIN 2019/09/27		DOC TYPE DOC PART REVISION					
		THIRD ANGLE PROJECTION							
		DRAWING	SERIES	MATERIAL NUMBER		CUSTOMER		SHEET NUMBER	
		A2-SIZE	212528	SEE TABLE		GENERAL MARKET		3 OF 3	