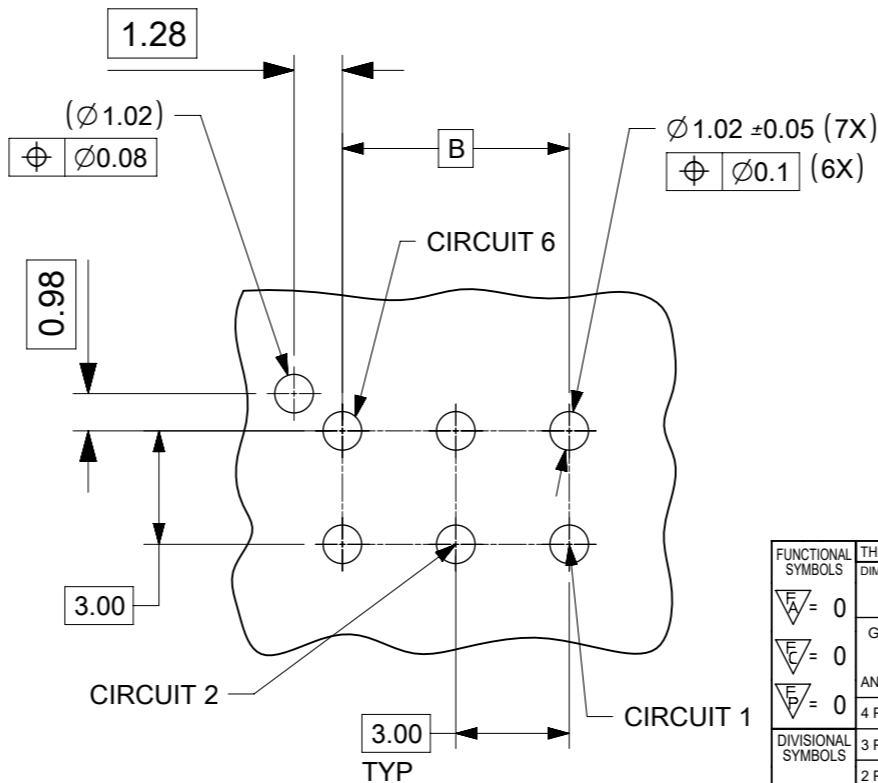
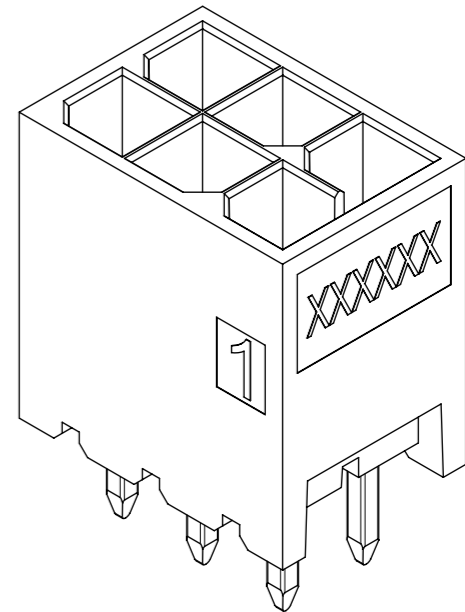
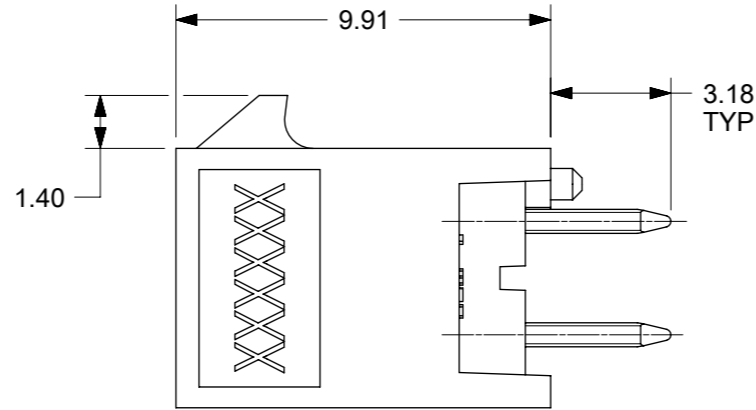
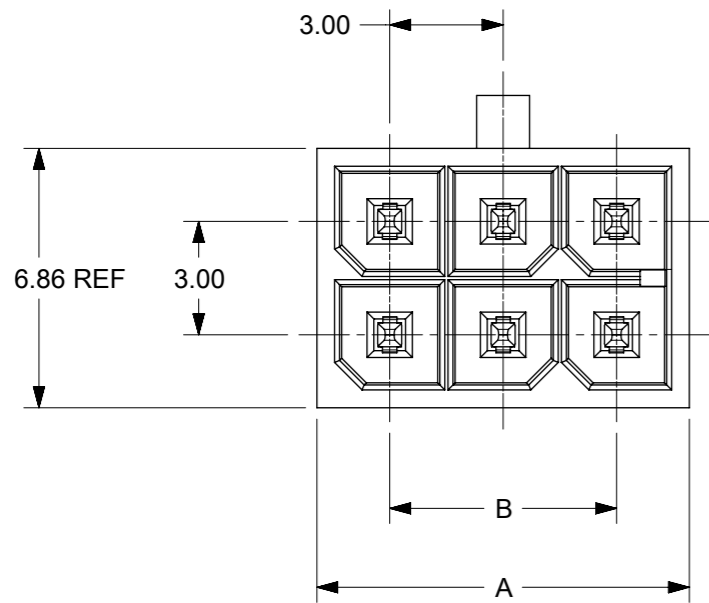


CKT	A	B
2	3.85	NA
4	6.85	3
6	9.85	6
8	12.85	9
10	15.85	12
12	18.85	15
14	21.85	18
16	24.85	21
18	27.85	24
20	30.85	27
22	33.85	30
24	36.85	33
26	39.85	36



PCB LAYOUT: COMPONENT SIDE  
RECOMENDED PCB THICKNESS: .062/1.57 Max.

- NOTES:
- HOSING MATERIAL: GLASS FILLED LIQUID CRYSTAL POLYMER, UL 94V-0, COLOR: SEE TABLE  
TERMINAL MATERIAL: HIGH COPPER ALLOY
  - FINISH:
    - OPTION 1: 1.52µm MIN REFLOW MATTE TIN, OVER 1.25µm MIN NICKEL OVERALL
    - OPTION 2: 0.38µm MIN GOLD CONTACT AREA, 1.52µm MIN MATTE TIN TAIL AREA OVER 1.25µm MIN NICKEL OVERALL
    - OPTION 3: 0.76µm MIN GOLD CONTACT AREA, 1.52µm MIN MATTE TIN TAIL AREA OVER 1.25µm MIN NICKEL OVERALL
  - PRODUCT SPECIFICATION : 2064600000-PS
  - TRAY PACK : 2068320000-PK  
TAPE REEL PACK : 2068320001-PK
  - MATE WITH RECEPTACLE 206461
  - THIS PART CONFORMS TO CLASS 'B' REQUIREMENTS OF COSMETIC SPECIFICATION PS-45499-002.

FUNCTIONAL SYMBOLS	THIS DRAWING CONTAINS INFORMATION THAT IS PROPRIETARY TO MOLEX ELECTRONIC TECHNOLOGIES, LLC AND SHOULD NOT BE USED WITHOUT WRITTEN PERMISSION		CURRENT REV DESC:	
$\nabla_A = 0$	DIMENSION UNITS	SCALE		
$\nabla_E = 0$	mm	NTS		
$\nabla_F = 0$	GENERAL TOLERANCES (UNLESS SPECIFIED)			
$\nabla_G = 0$	ANGULAR TOL ± 0.5°			
DIVISIONAL SYMBOLS	4 PLACES ±		EC NO: 850997	
	3 PLACES ±		DRWN: ZIXUAQ	2026/03/17
	2 PLACES ± 0.25		CHK'D: XQZHANG	2026/03/20
	1 PLACE ± 0.36		APPR: XQZHANG	2026/03/20
	0 PLACES ±		INITIAL REVISION:	
			DRWN: SMAHAJANSHET	2018/05/08
			APPR: NCSR	2019/04/02
DRAFT WHERE APPLICABLE MUST REMAIN WITHIN DIMENSIONS		THIRD ANGLE PROJECTION	DRAWING	SERIES
			A3-SIZE	206832
		MATERIAL NUMBER	CUSTOMER	SHEET NUMBER
		2068320000-SD	GENERAL MARKET	1 OF 4

**molex**

V HDR ASSY BANDO  
MICRO-FIT + SOLUTION

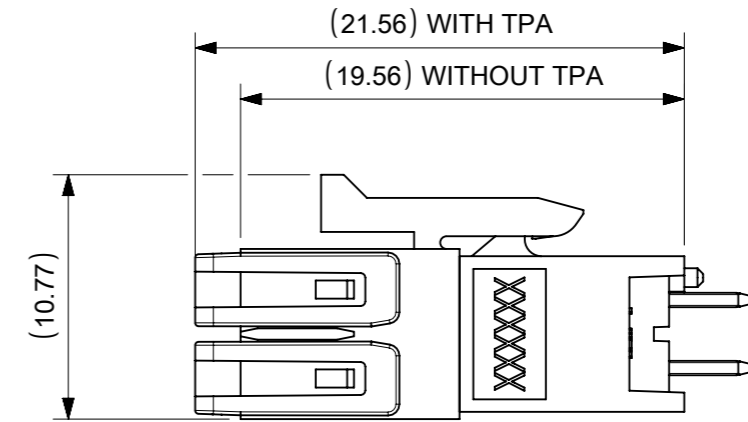
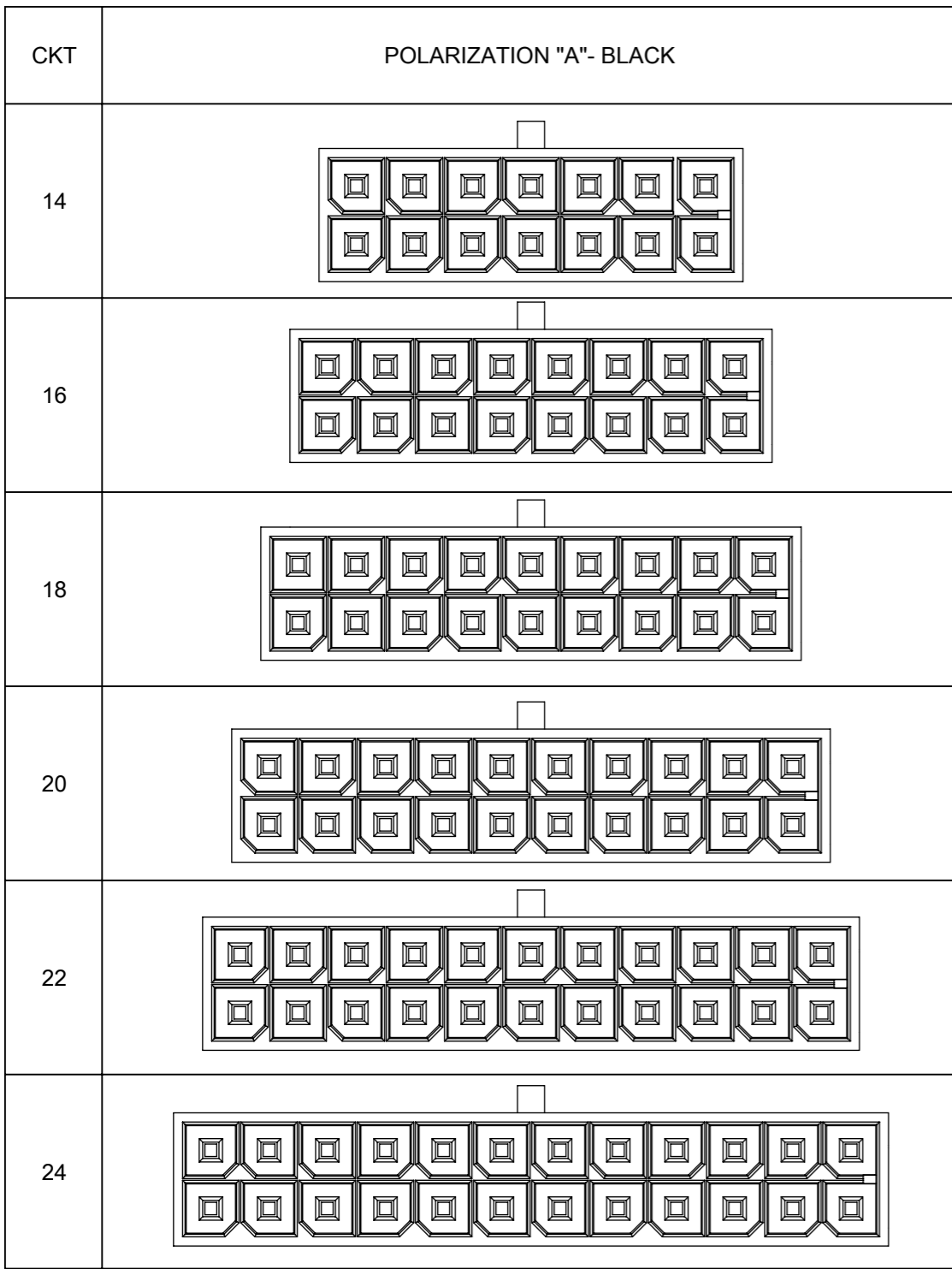
PRODUCT CUSTOMER DRAWING

DOCUMENT NUMBER	DOC TYPE	DOC PART	REVISION
2068320000-SD	PSD	000	D1



	10	9	8	7	6	5	4	3	2	1
F	CKT	POLARIZATION "A"- BLACK	POLARIZATION "B"- NATURAL	POLARIZATION "C" - RED	POLARIZATION "D" - BLUE	POLARIZATION "D" - BLUE	POLARIZATION "E" - YELLOW			
	2									
	4									
	6									
	8									
	10									
	12									

FUNCTIONAL SYMBOLS	THIS DRAWING CONTAINS INFORMATION THAT IS PROPRIETARY TO MOLEX ELECTRONIC TECHNOLOGIES, LLC AND SHOULD NOT BE USED WITHOUT WRITTEN PERMISSION		CURRENT REV DESC:				
	$\nabla_A = 0$ $\nabla_E = 0$ $\nabla_V = 0$	DIMENSION UNITS: <b>mm</b> SCALE: <b>NTS</b>					
DIVISIONAL SYMBOLS	4 PLACES	$\pm$	EC NO: 850997	2026/03/17	<b>PRODUCT CUSTOMER DRAWING</b>		
	3 PLACES	$\pm$	DRWN: ZIXUAQ	2026/03/20			
	2 PLACES	$\pm 0.25$	CHK'D: XQZHANG	2026/03/20	DOCUMENT NUMBER: <b>2068320000-SD</b> DOC TYPE: PSD    DOC PART: 000    REVISION: D1		
	1 PLACE	$\pm 0.36$	APPR: XQZHANG				
0 PLACES	$\pm$	INITIAL REVISION:		MATERIAL NUMBER: SEE TABLE    CUSTOMER: GENERAL MARKET    SHEET NUMBER: 3 OF 4			
DRAFT WHERE APPLICABLE MUST REMAIN WITHIN DIMENSIONS		THIRD ANGLE PROJECTION	DRAWING: A3-SIZE				SERIES: 206832



ASSEMBLY VIEW  
MATING WITH 206461 SERIES

FUNCTIONAL SYMBOLS	THIS DRAWING CONTAINS INFORMATION THAT IS PROPRIETARY TO MOLEX ELECTRONIC TECHNOLOGIES, LLC AND SHOULD NOT BE USED WITHOUT WRITTEN PERMISSION						
	$\nabla_A = 0$ $\nabla_E = 0$ $\nabla_V = 0$	DIMENSION UNITS: mm SCALE: NTS					CURRENT REV DESC:
DIVISIONAL SYMBOLS	GENERAL TOLERANCES (UNLESS SPECIFIED)		EC NO: 850997 DRWN: ZIXUAG CHK'D: XQZHANG APPR: XQZHANG				
	ANGULAR TOL $\pm 0.5^\circ$		2026/03/17 2026/03/20 2026/03/20				
	4 PLACES	$\pm$	INITIAL REVISION:				
	3 PLACES	$\pm$	DRWN: SMAHAJANSHET APPR: NCSR				
	2 PLACES	$\pm 0.25$	2018/05/08 2019/04/02				
1 PLACE	$\pm 0.36$	DOCUMENT NUMBER		DOC TYPE	DOC PART	REVISION	
0 PLACES	$\pm$	2068320000-SD		PSD	000	D1	
DRAFT WHERE APPLICABLE MUST REMAIN WITHIN DIMENSIONS		THIRD ANGLE PROJECTION	DRAWING	SERIES	MATERIAL NUMBER	CUSTOMER	SHEET NUMBER
			A3-SIZE	206832		GENERAL MARKET	4 OF 4