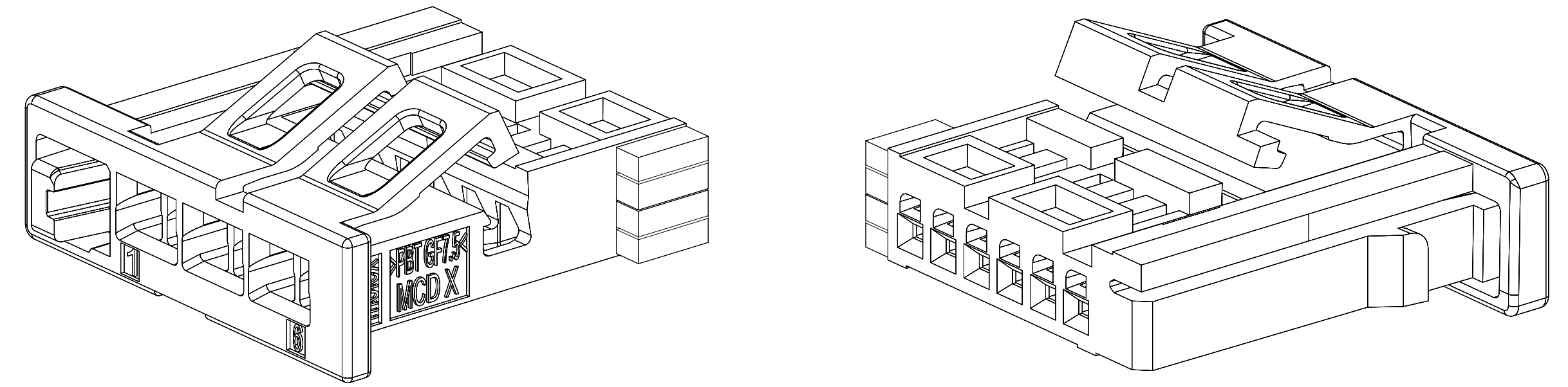


**EXAMPLE:**

PN 2058272081  
 205827 - SERIES NUMBER: SINGLE ROW RECEPTACLE  
 2 - TYPE OF COMPONENT: STANDARD MATL RECPT  
 06 - 06 USABLE CIRCUITS  
 1 - KEY A

FINAL PART: 06CKT SINGLE ROW RECEPTACLE - KEY A

**6 WAY RECEPTACLE SHOWN**



	SERIES NUMBERS (AAAAAA)	TYPE OF COMPONENT (B)	USABLE CIRCUITS (CC)	KEY (D)
ON DRAWING	205827 - TANG RECEPTACLE	2 - STANDARD MATERIAL	02 - 2 Circuits	0 - No KEY or N/A
MATING PARTS	208033 - RIGHT ANGLE SMT HEADER - TAPE & REEL		...	1 - KEY A
	208034 - RIGHT ANGLE SMT HIGH PERFORMANCE HEADER - TAPE & REEL		...	2 - KEY B
	208035 - VERTICAL SMT HEADER - TAPE & REEL		...	3 - KEY C
	208036 - VERTICAL SMT HIGH PERFORMANCE HEADER - TAPE & REEL		22 - 22 Circuits	4 - KEY D

**NOTES**

VALID UNLESS OTHERWISE SPECIFIED

1. GENERAL:

- 1.1 APPLICATION SPECIFICATION SEE: 2046310000-AS
- 1.2 PRODUCT SPECIFICATION SEE: 2046310000-PS
- 1.3 PACKAGING SPECIFICATION PER MOLEX DRAWING: PK-31301-538
- 1.4 COMPATIBLE WITH STANDARD AK INTERFACE TO DRAWING C-114-94000-20 REV B1
- 1.5 COMPATIBLE WITH MOLEX AK INTERFACE 2046310001

2. DESIGN - MATERIALS:

- 2.1 RECEPTACLE HOUSING:
  - a. MATERIAL: PBT-GF7.5%
  - b. COLOR: SEE PART TABLE

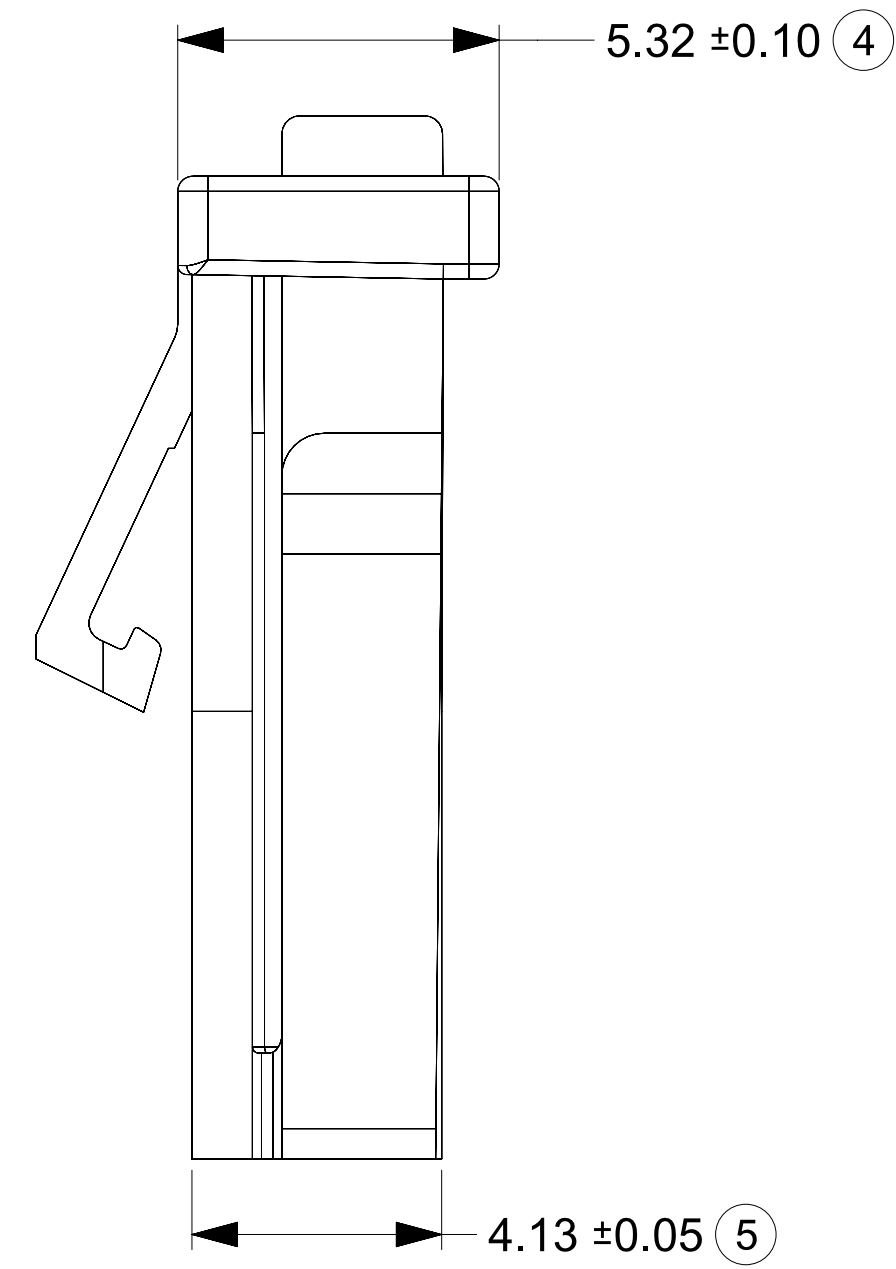
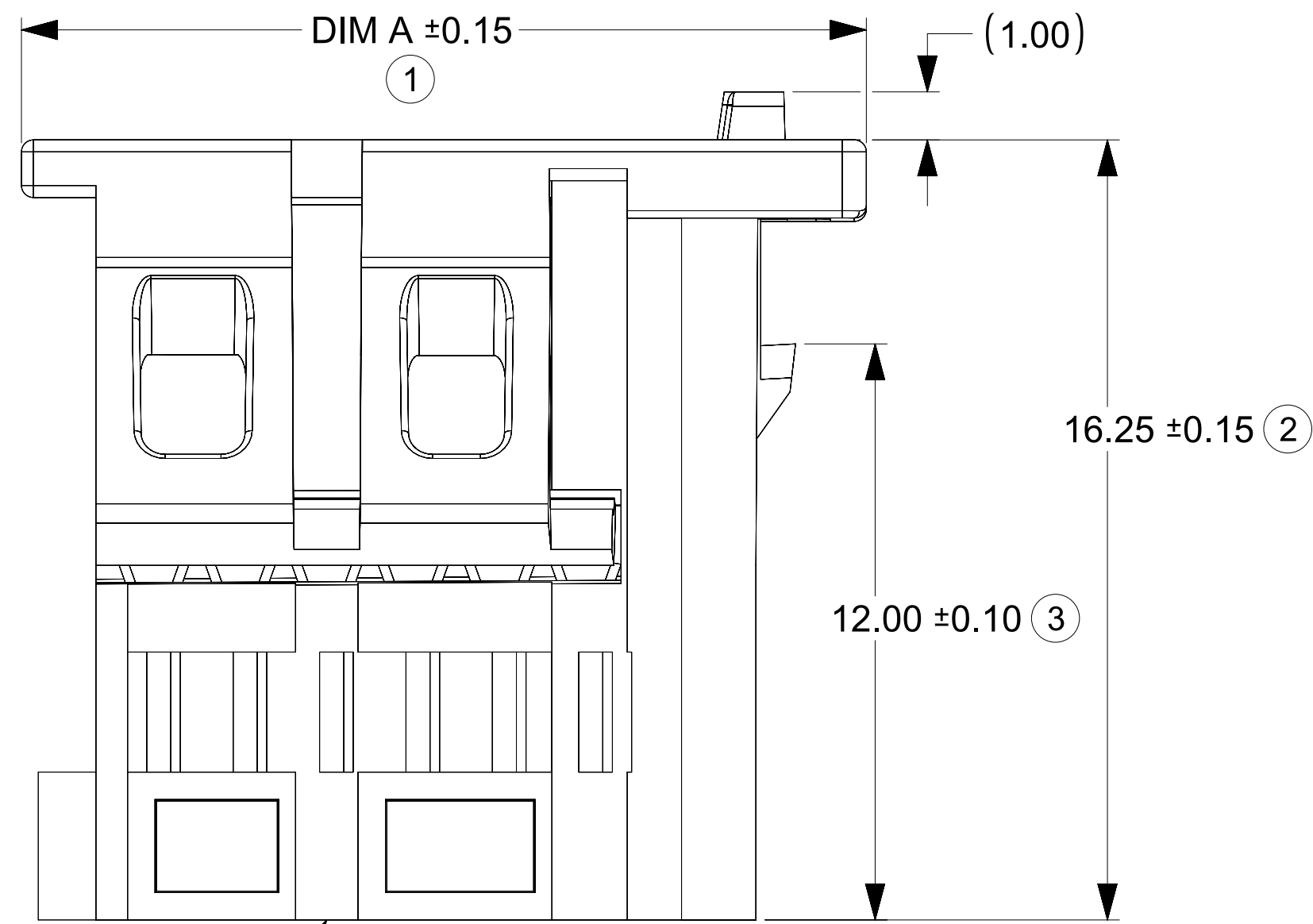
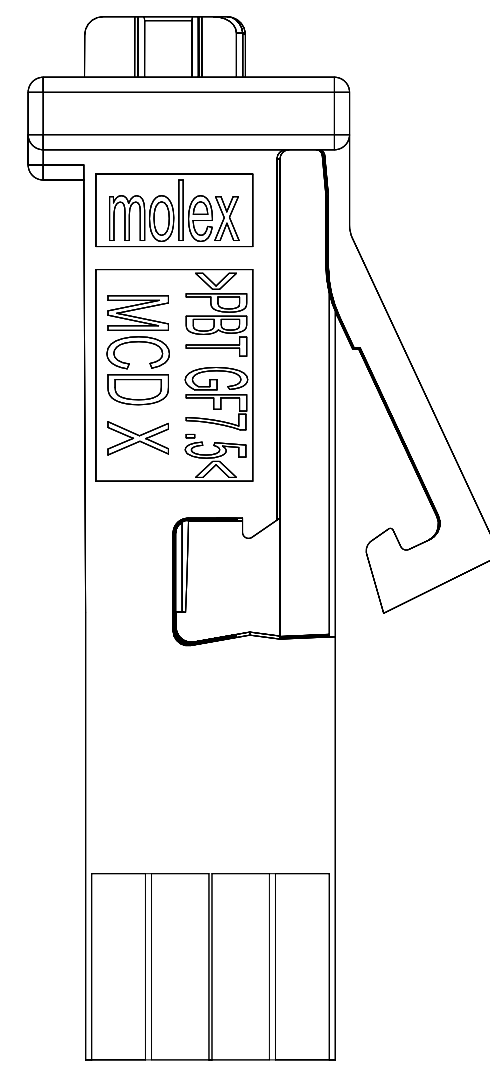
3. DESIGN - GEOMETRY:

- 3.1 GEOMETRIC DIMENSIONS AND TOLERANCES PER ASME Y14.5M-2009
- 3.2 EDGES AND UNDIMENSIONED DETAILS PER ISO13715
- 3.3 CORNERS SHOWN AS SHARP TO BE R 0.2 MAX.
- 3.4 MARKED TEXT TO INCLUDE: RECYCLING CODE, CAVITY ID, AND VENDOR IDENTIFICATION.

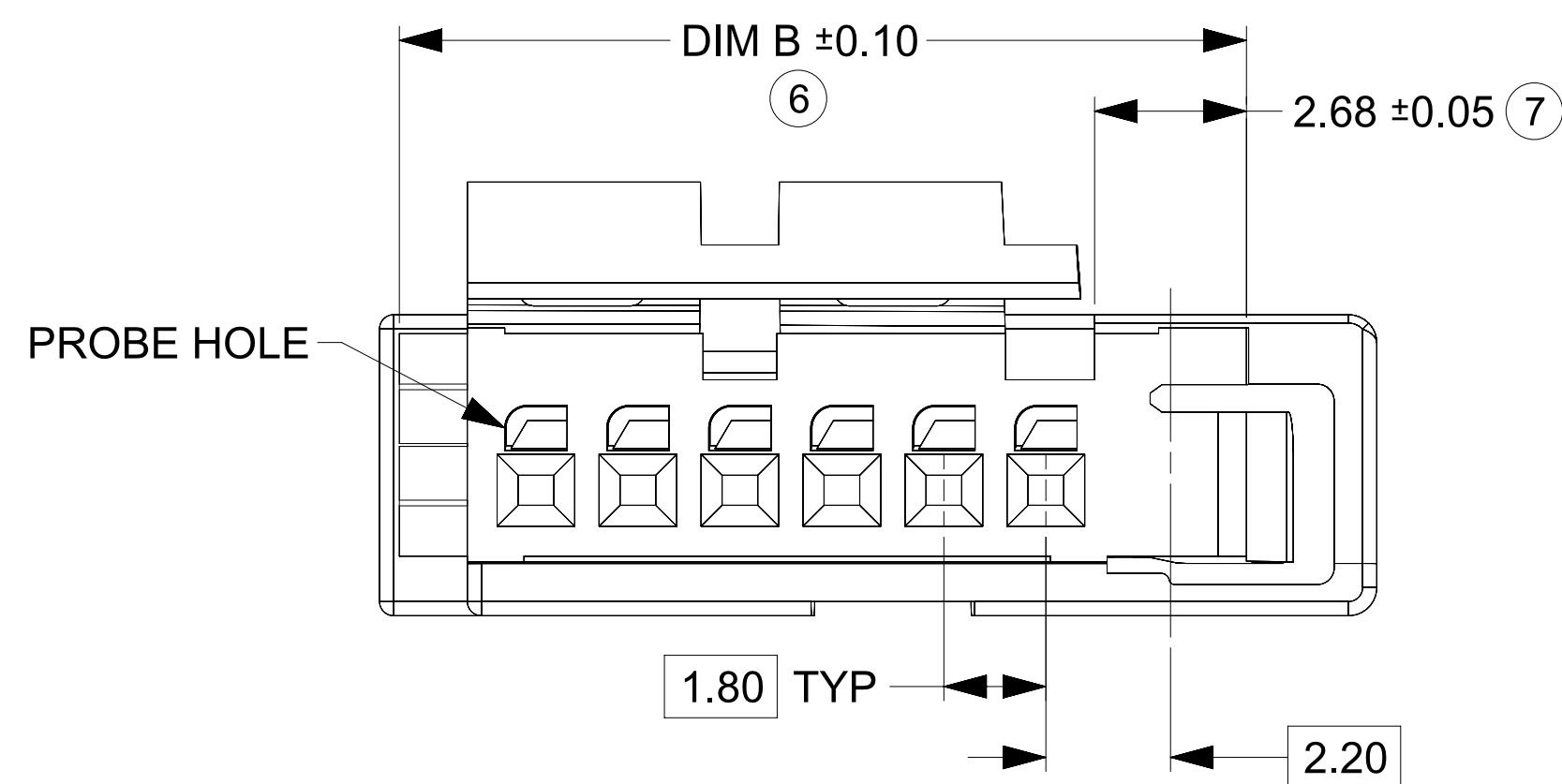
INTERFACE	INTERFACE CKT SIZE	DIM A	DIM B	KEY	COLOR	RECEPTACLE P/N	WEIGHT (g)	PART STATUS
	2	10.40	7.75	A	BLACK	2058272021	0.41	AVAILABLE
				B	NATURAL	2058272022	0.41	
				C	BLUE	2058272023	0.41	
				D	VIOLET	2058272024	0.41	
	3	12.20	9.55	A	BLACK	2058272031	0.51	AVAILABLE
				B	NATURAL	2058272032	0.51	
				C	BLUE	2058272033	0.51	
				D	VIOLET	2058272034	0.51	
	4	14.00	11.35	A	BLACK	2058272041	0.60	AVAILABLE
				B	NATURAL	2058272042	0.60	
				C	BLUE	2058272043	0.60	
				D	VIOLET	2058272044	0.60	
	5	15.80	13.15	A	BLACK	2058272051	0.69	AVAILABLE
				B	NATURAL	2058272052	0.69	
				C	BLUE	2058272053	0.69	
				D	VIOLET	2058272054	0.69	
	6	17.60	14.95	A	BLACK	2058272061	0.78	AVAILABLE
				B	NATURAL	2058272062	0.78	
				C	BLUE	2058272063	0.78	
				D	VIOLET	2058272064	0.78	
	7	19.40	16.75	A	BLACK	2058272071	-	INQUIRE FOR AVAILABILITY
				B	NATURAL	2058272072	-	
				C	BLUE	2058272073	-	
				D	VIOLET	2058272074	-	
	8	21.20	18.55	A	BLACK	2058272081	-	INQUIRE FOR AVAILABILITY
				B	NATURAL	2058272082	-	
				C	BLUE	2058272083	-	
				D	VIOLET	2058272084	-	
	9	23.00	20.35	A	BLACK	2058272091	-	INQUIRE FOR AVAILABILITY
				B	NATURAL	2058272092	-	
				C	BLUE	2058272093	-	
				D	VIOLET	2058272094	-	
	10	24.80	22.15	A	BLACK	2058272101	-	INQUIRE FOR AVAILABILITY
				B	NATURAL	2058272102	-	
				C	BLUE	2058272103	-	
				D	VIOLET	2058272104	-	
	11	26.60	23.95	A	BLACK	2058272111	-	INQUIRE FOR AVAILABILITY
				B	NATURAL	2058272112	-	
				C	BLUE	2058272113	-	
				D	VIOLET	2058272114	-	

INSPECTION BALLOON NUMBER LOG	A4	REMOVED PREVIOUS NOTE 1.4 & 1.5; CORRECTED DRAWING REVISION IN NOTE 1.4; ADDED NOTE 1.5; REMOVED KEY Z; UPDATED SCALE OF SHEET 2
PER DRAWING REVISION: A4	A3	CHANGED POL B COLOR FROM GRAY TO NATURAL
LAST BALLOON USED: 17	A2	CHANGED DIM A DIMENSIONS
ADDED BALLOON NUMBERS:	A1	ADDED DIMENSION BALLOONS UPDATED TOERLANCE FOR DIM 3
REMOVED BALLOON NUMBERS:	A	INITIAL RELEASE
	REV	DESCRIPTION

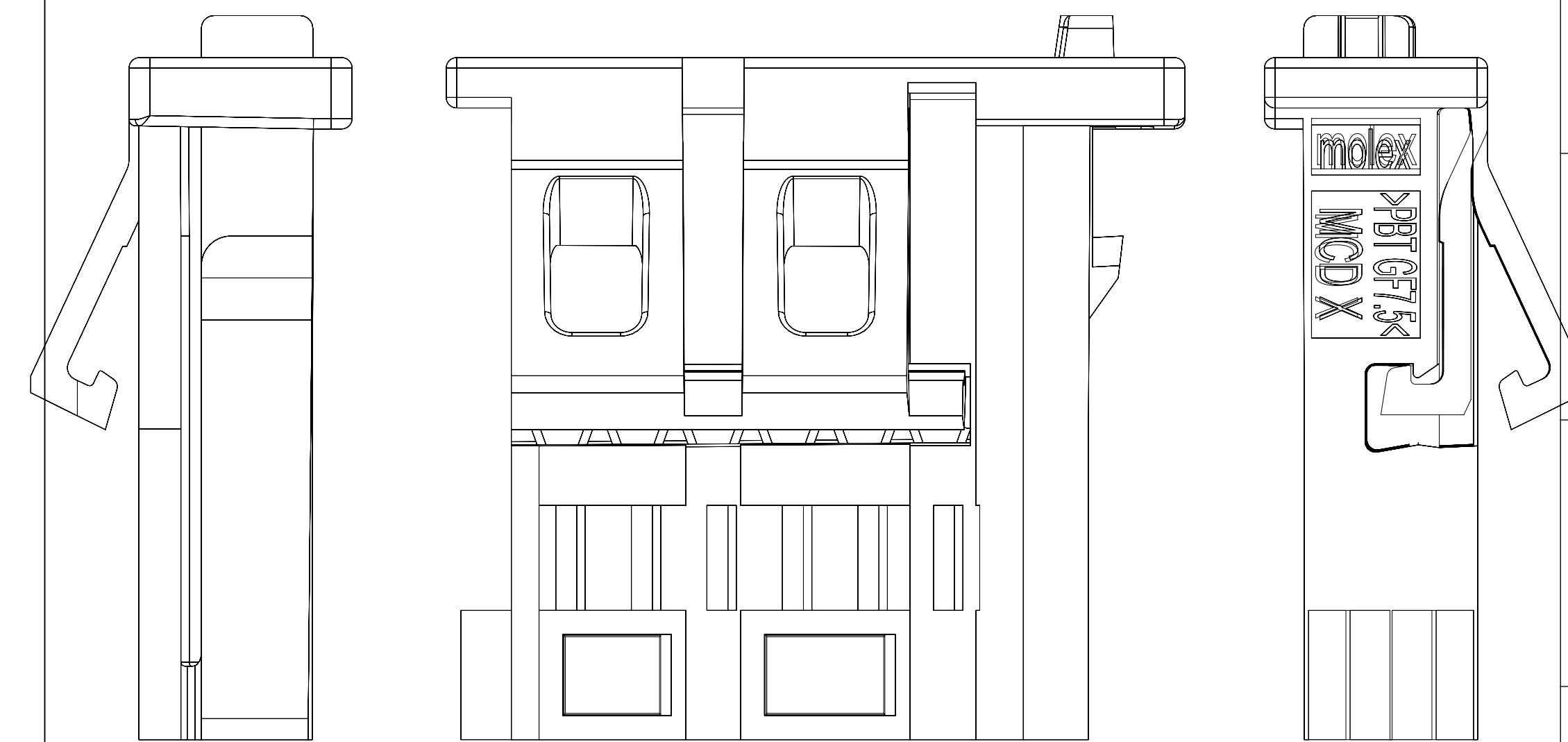
FUNCTIONAL SYMBOLS $F_A = 0$ $F_C = 0$ $F_D = 0$ DIVISIONAL SYMBOLS	THIS DRAWING CONTAINS INFORMATION THAT IS PROPRIETARY TO MOLEX ELECTRONIC TECHNOLOGIES, LLC AND SHOULD NOT BE USED WITHOUT WRITTEN PERMISSION CURRENT REV DESC: Weight Column added to BOM Table							
	DIMENSION UNITS: <b>MM</b> SCALE: <b>6:1</b> GENERAL TOLERANCES (UNLESS SPECIFIED) ANGULAR TOL $\pm 0.5^\circ$ 4 PLACES $\pm$ 3 PLACES $\pm$ 2 PLACES $\pm$ 1 PLACE $\pm$ 0 PLACES $\pm$			STATUS: Production DRWN: Evan Colarusso CHK'D: Skyler Russ APPR: Jeremy Dunaj				
DRAFT WHERE APPLICABLE MUST REMAIN WITHIN DIMENSIONS		THIRD ANGLE PROJECTION	D-SIZE	205827	DOCUMENT NUMBER: <b>2058270002</b>	DOC TYPE: PSD	DOC PART: 000	REVISION: A4
		DRAWING: D-5000	SERIES: 205827	MATERIAL NUMBER: SEE TABLE	CUSTOMER: GENERAL MARKET	PRODUCT CUSTOMER DRAWING CONNTAK50 SR TNG RECEPTACLE SALES DWG 1 OF 2		



CIRCUITS 6-11 CONTAIN 2ND RIB

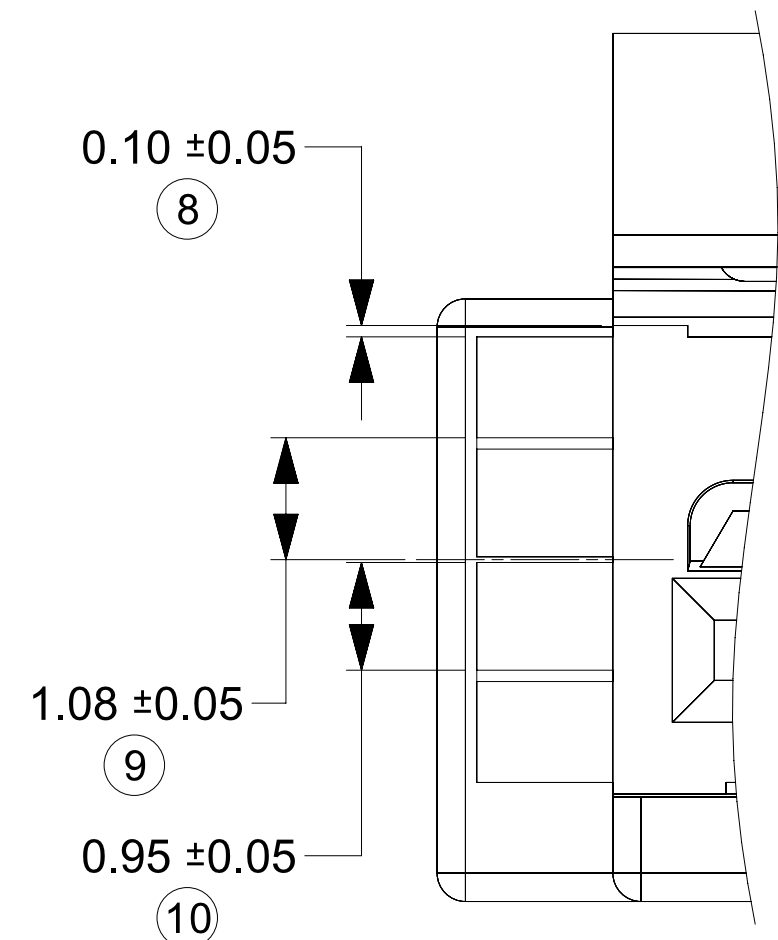


## ISL IN FINAL LOCK

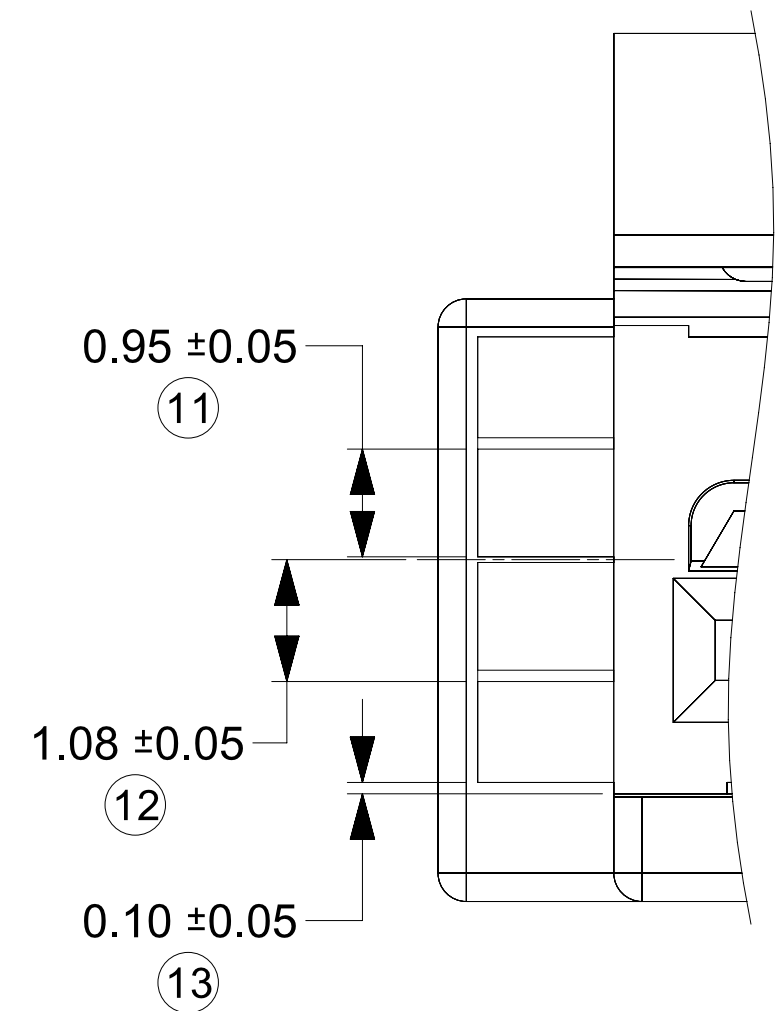


## KEYING OPTIONS

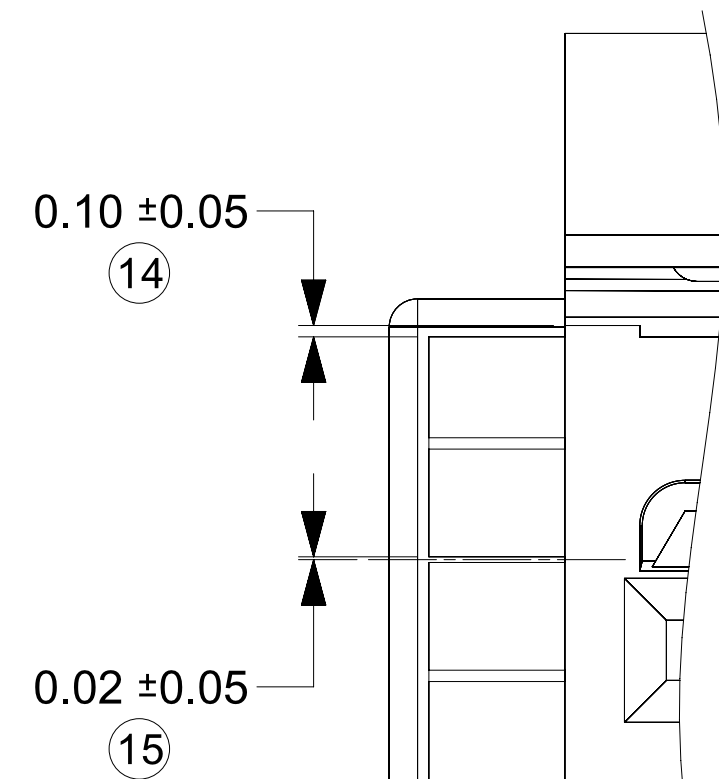
### KEY A (BLACK)



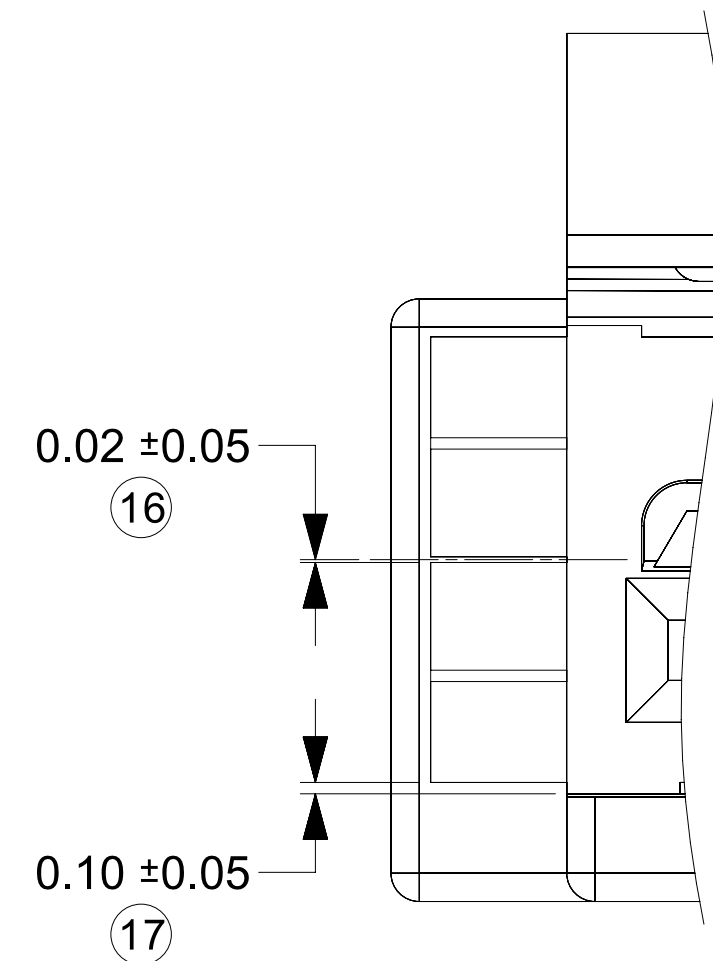
### KEY B (GREY)



### KEY C (BLUE)



### KEY D (VIOLET)



FUNCTIONAL SYMBOLS $F_A = 0$ $F_C = 0$ $F_D = 0$ DIVISIONAL SYMBOLS	THIS DRAWING CONTAINS INFORMATION THAT IS PROPRIETARY TO MOLEX ELECTRONIC TECHNOLOGIES, LLC AND SHOULD NOT BE USED WITHOUT WRITTEN PERMISSION		SCALE <b>8:1</b>		CURRENT REV DESC: Weight Column added to BOM Table		
	DIMENSION UNITS <b>MM</b>		GENERAL TOLERANCES (UNLESS SPECIFIED)				
			ANGULAR TOL $\pm 0.5^\circ$				
			4 PLACES $\pm$				
		3 PLACES $\pm$					
		2 PLACES $\pm$					
		1 PLACE $\pm$					
		0 PLACES $\pm$					
DRAFT WHERE APPLICABLE MUST REMAIN WITHIN DIMENSIONS		THIRD ANGLE PROJECTION		STATUS: Production DRWN: Evan Colarusso CHK'D: Skyler Russ APPR: Jeremy Dunaj		2022-05-27 2025-02-11 2025-02-11	
		DRAWING <b>D-SIZE</b>		SERIES <b>205827</b>		MATERIAL NUMBER <b>2058270002</b>	
		CUSTOMER GENERAL MARKET		SHEET NUMBER <b>2 OF 2</b>		DOCUMENT NUMBER <b>2058270002</b>	
				DOC TYPE <b>PSD</b>		DOC PART <b>000</b>	
				REVISION <b>A4</b>			

**molex**

CONNTAK50 SR TNG RECEPTACLE SALES DWG

PRODUCT CUSTOMER DRAWING

DOCUMENT NUMBER DOC TYPE DOC PART REVISION

2058270002 PSD 000 A4

MATERIAL NUMBER CUSTOMER SHEET NUMBER

SEE TABLE GENERAL MARKET 2 OF 2