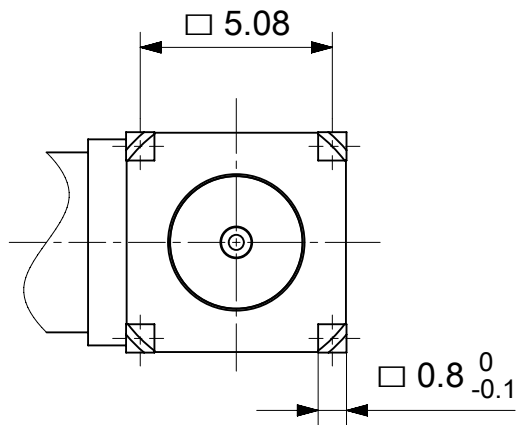


RoHS compliant  
by exemption

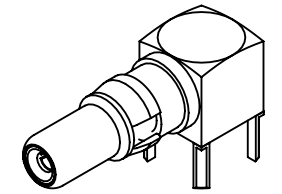
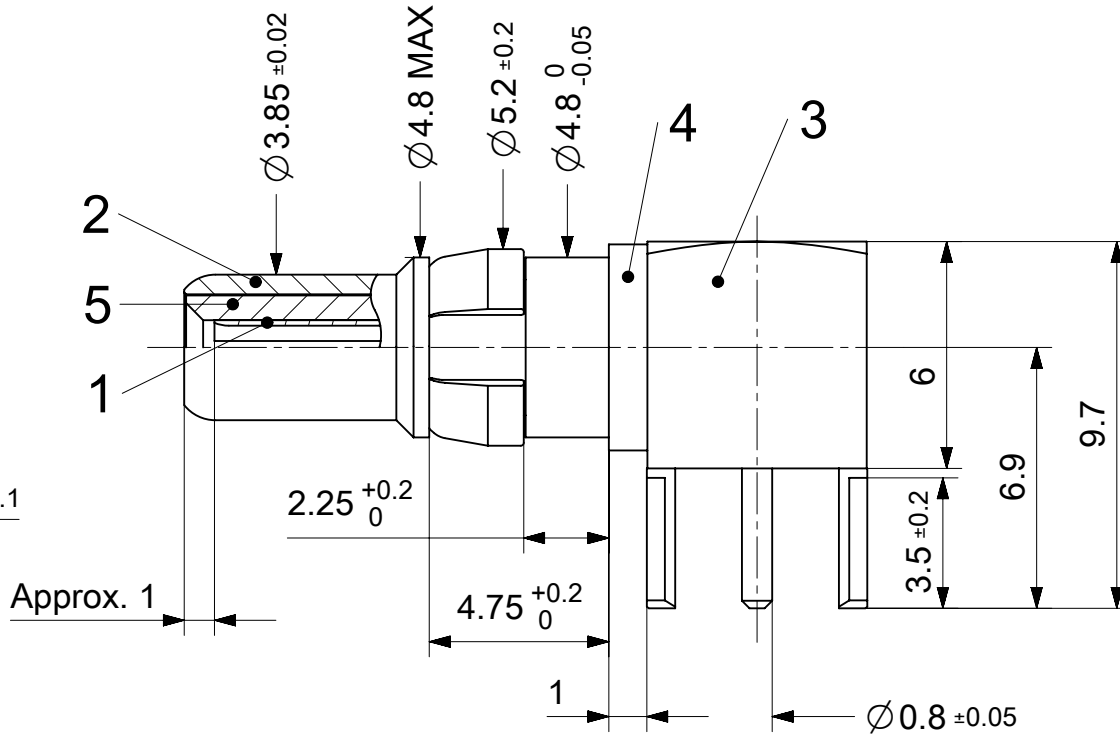
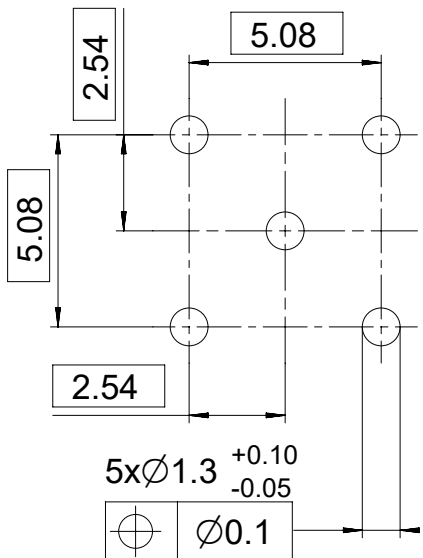
1727040147	FMP006P103	103
1731120280	FMP006P105	105
1731120839	FMP006P106	106
1731120385	FMP006P110	110
1731140196	FMP006P133	133
1731120040	FMP006P203	203
Material Number	FCT Part Number	Material + Finish See extra sheet

UNLESS OTHERWISE SPECIFIED DIMENSIONS FOR REFERENCE ONLY		REPLACEMENT FOR DOCUMENT NUMBER: FMP006P	
THIS DRAWING CONTAINS INFORMATION THAT IS PROPRIETARY TO MOLEX ELECTRONIC TECHNOLOGIES, LLC AND SHOULD NOT BE USED WITHOUT WRITTEN PERMISSION			
DIMENSION UNITS	SCALE	CURRENT REV DESC: REMOVED OBSOLETE PART NUMBERS AS PER PCN#514494	
mm	5:1	<p><b>molex</b></p> <p>FCT 20A HIGH POWER CONTACT FOR D-SUB</p> <p>PRODUCT CUSTOMER DRAWING</p>	
GENERAL TOLERANCES (UNLESS SPECIFIED)			
ANGULAR TOL	± °		
4 PLACES	±		
3 PLACES	±		
2 PLACES	±		
1 PLACE	±	EC NO: 770993	2023/11/10
0 PLACES	±	DRWN: MADHAM5	2023/12/25
		CHK'D: GGA	2023/12/25
		APPR: GGA	2023/12/25
DRAFT WHERE APPLICABLE MUST REMAIN WITHIN DIMENSIONS		INITIAL REVISION:	DOCUMENT NUMBER
FIRST ANGLE PROJECTION	DRAWING	DRWN: GOOLAM	1727040147
	SERIES	APPR: MTEUBEL	PSD
	MATERIAL NUMBER	2020/12/01	000
	CUSTOMER	2021/11/25	A2
	SHEET NUMBER	SEE TABLE	1 OF 1
		A4-SIZE	GENERAL MARKET
		172704	

DOCUMENT STATUS	P1	RELEASE DATE	2023/12/25	13:30:37
-----------------	----	--------------	------------	----------



**PCB-LAYOUT**



2:1

RoHS compliant  
by exemption

1731120196	FME009P102	102
1731121197	FME009P108	108
Material Number	FCT Part Number	Material + Finish See extra sheet

UNLESS OTHERWISE SPECIFIED DIMENSIONS FOR REFERENCE ONLY		REPLACEMENT FOR DOCUMENT NUMBER: FME009P	
FUNCTIONAL SYMBOLS	THIS DRAWING CONTAINS INFORMATION THAT IS PROPRIETARY TO MOLEX ELECTRONIC TECHNOLOGIES, LLC AND SHOULD NOT BE USED WITHOUT WRITTEN PERMISSION		
$\frac{F}{A} = 0$	DIMENSION UNITS	SCALE	CURRENT REV DESC:
$\frac{F}{E} = 0$	mm	5:1	EC NO: 714923
$\frac{F}{P} = 0$	GENERAL TOLERANCES (UNLESS SPECIFIED)		DRWN: MTEUBEL 2022/07/20
DIVISIONAL SYMBOLS	ANGULAR TOL ± °		CHK'D: FVETTER 2022/07/20
	4 PLACES ±		APPR: FVETTER 2022/07/20
	3 PLACES ±	INITIAL REVISION:	
	2 PLACES ±	DRWN: VLOKESHA 2021/04/16	
	1 PLACE ±	APPR: FVETTER 2022/06/13	
	0 PLACES ±		
DRAFT WHERE APPLICABLE MUST REMAIN WITHIN DIMENSIONS		FIRST ANGLE PROJECTION	DRAWING
			A4-SIZE
		SERIES	MATERIAL NUMBER
		173112	SEE TABLE
		CUSTOMER	DOC TYPE
		GENERAL MARKET	PSD
		REVISION	DOC PART
		A1	000
		SHEET NUMBER	REVISION
		1 OF 1	

DOCUMENT STATUS	P1	RELEASE DATE	2022/07/20	12:33:21
-----------------	----	--------------	------------	----------