

- NOTES:
- ELECTRICAL DATA:
 VOLTAGE RATING: 125V
 CURRENT RATING: 1.5A
 INSULATION RESISTANCE: $10^8 \Omega$ MIN.
 MATING CYCLES: MIN. 100
 TEMP RANGE: -25°C TO +75°C
 PROTECTION: IP67 (WHEN MATED)
 UL FILE: E200650
 - ALL DIMS ARE FOR REFERENCE UNLESS TOLERANCED OR NOTED OTHERWISE

WIRING DIAGRAM

M12 (4 PIN) TO RJ45 STRAIGHT THRU WIRING

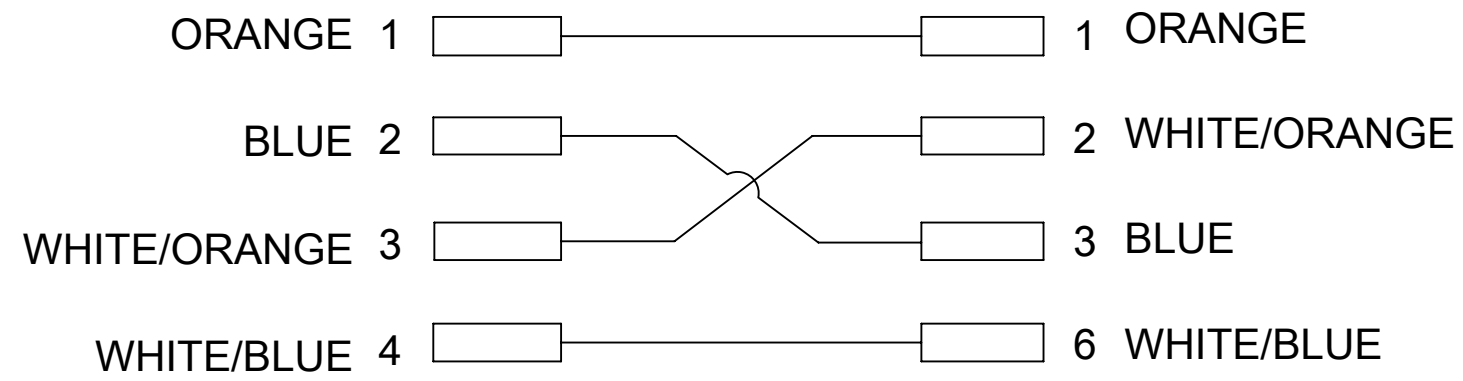
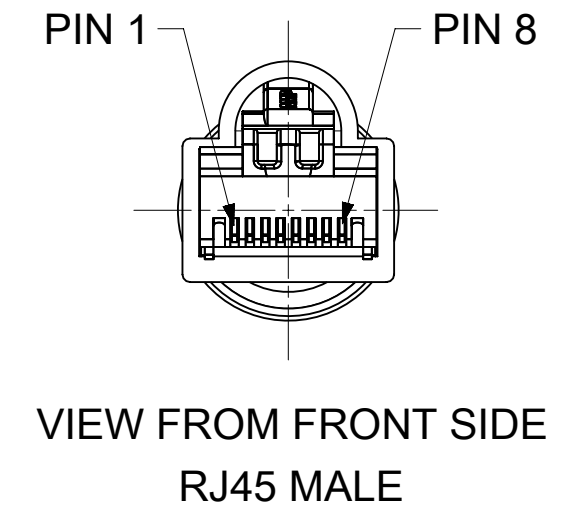
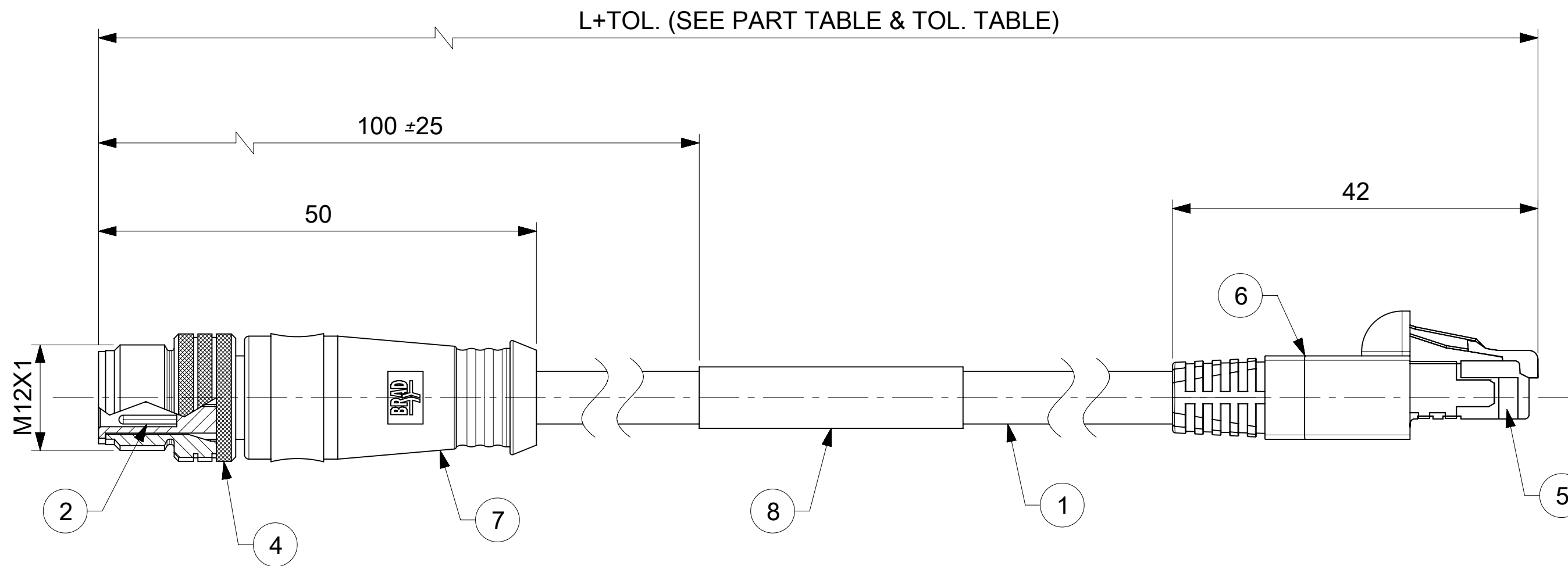
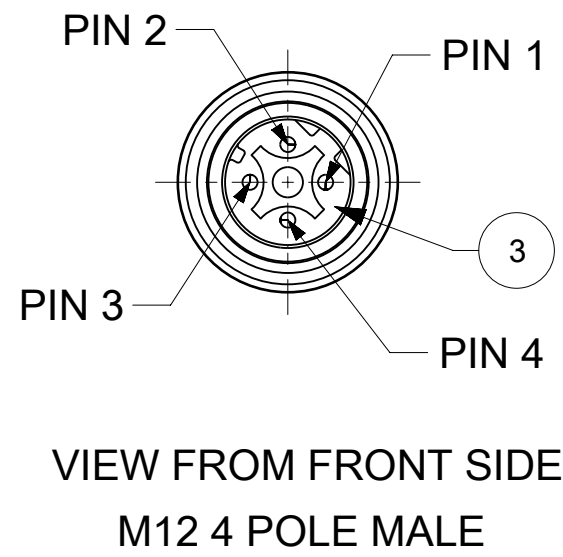


TABLE OF LENGTH TOLERANCES		
OVER	UP TO AND INCLUDING	TOLERANCE
0	305	+19
305	915	+45
915	1830	+56
1830	3660	+89
3660	7320	+165
7320	14640	+317
14640	30500	+610
30500	>	+2% OF LENGTH

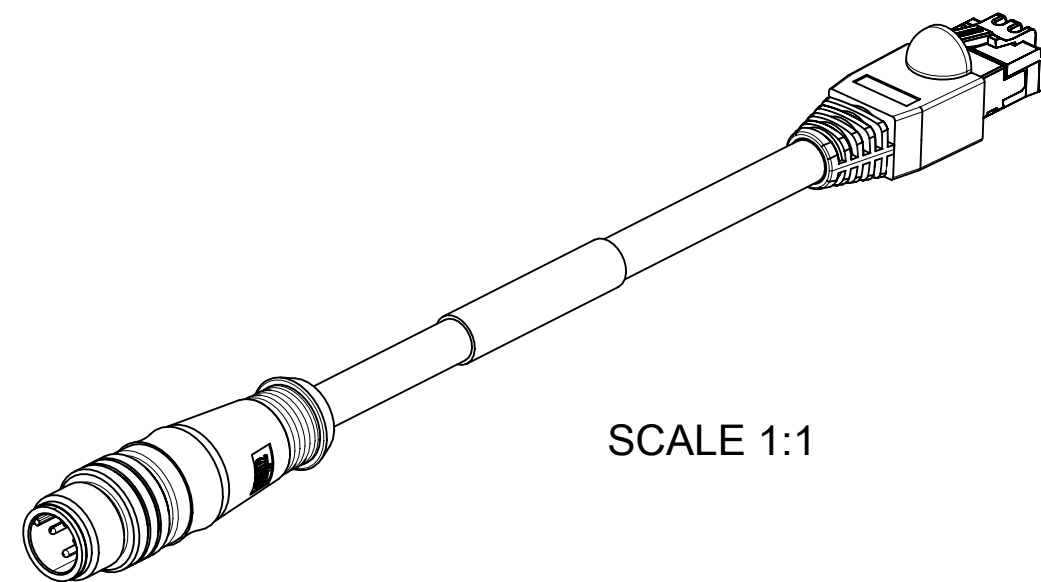
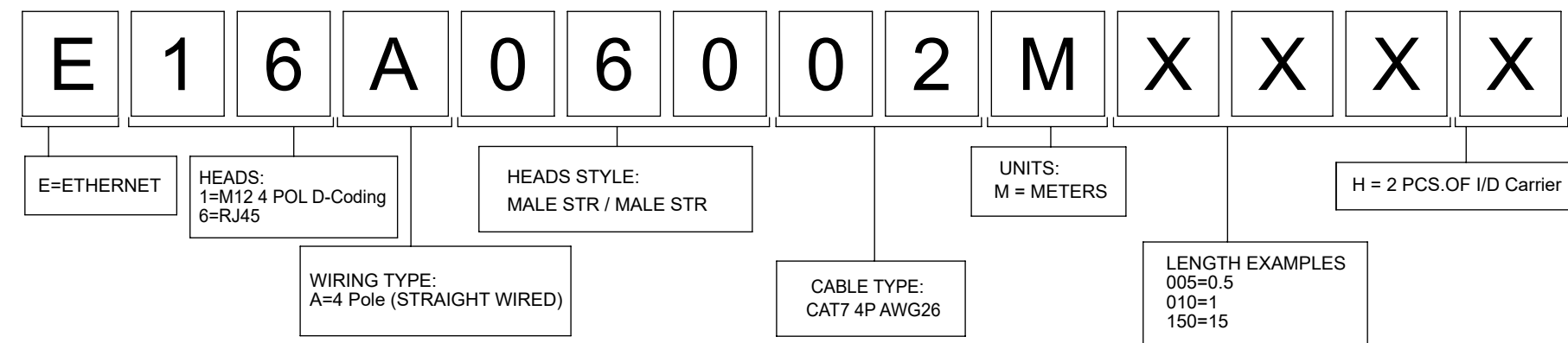


ITEM	DESCRIPTION	MATERIAL	FINISH
1	CABLE, ETHERNET, 24-4	PVC JACKET	TEAL
2	CONTACT PIN	COPPER ALLOY	GOLD PLATED
3	INSERT D-CODE 4 POLE MALE	PUR	BLACK
4	COUPLING NUT M12 MALE	BRASS	NICKEL
5	RJ45 PLUG	POLYCARBONATE	TRANSPARENT
6	RJ45 BOOT, HOODED	PVC	BLACK
7	OVERMOLD	TPU	BLACK
8	LABEL	VINYL	BLACK/WHITE

THIS DRAWING CONTAINS INFORMATION THAT IS PROPRIETARY TO MOLEX ELECTRONIC TECHNOLOGIES, LLC AND SHOULD NOT BE USED WITHOUT WRITTEN PERMISSION

DIMENSION UNITS mm	SCALE 2:1	CURRENT REV DESC: REMOVED OBSOLETE PART NUMBERS AS PER PCN #516685	molex		
GENERAL TOLERANCES (UNLESS SPECIFIED)		EC NO: 830094			
ANGULAR TOL ± °	4 PLACES ±	DRWN: PRANAA 2025/07/31	PRODUCT CUSTOMER DRAWING		
3 PLACES ±	2 PLACES ±	CHK'D: GB 2025/08/08	DOCUMENT NUMBER		
1 PLACE ±	0 PLACES ±	APPR: GB 2025/08/08	1300480015		
DRAFT WHERE APPLICABLE MUST REMAIN WITHIN DIMENSIONS		INITIAL REVISION: DRWN: VHANDI 2023/04/19 APPR: RSILLER 2023/05/24	DOC TYPE	DOC PART	REVISION
THIRD ANGLE PROJECTION		DRAWING	SERIES	MATERIAL NUMBER	CUSTOMER
C-SIZE		130048	SEE TABLE	GENERAL MARKET	1 OF 2

PART No MATRIX:



SCALE 1:1

MATERIAL NO.	ENGINEERING NO.	FINISHED LENGTH (mm)	
1300480015	E16A06002M100	10000	
1300480016	E16A06002M150	15000	
1300480017	E16A06002M200	20000	
1300480018	E16A06002M250	25000	
1300480019	E16A06002M300	30000	
1300480021	E16A06002M400	40000	
1300480022	E16A06002M450	45000	
1300480023	E16A06002M500	50000	
1300480024	E16A06002M600	60000	
1300480026	E16A06002M900	90000	
1300480205	E16A06002M010	1000	
1300480206	E16A06002M030	3000	
1300480225	E16A06002M040	4000	
1300480227	E16A06002M060	6000	
1300480235	E16A06002M010	1000	
1300480236	E16A06002M030	3000	
1300480248	E16A06002M050	5000	
1300488005	E16A06002M020	5000	
1300488096	E16A06002T100	10000	
DOCUMENT STATUS	P1	RELEASE DATE	2025/08/08 08:08:11

THIS DRAWING CONTAINS INFORMATION THAT IS PROPRIETARY TO MOLEX ELECTRONIC TECHNOLOGIES, LLC AND SHOULD NOT BE USED WITHOUT WRITTEN PERMISSION											
DIMENSION UNITS	SCALE	CURRENT REV DESC: REMOVED OBSOLETE PART NUMBERS AS PER PCN #516685					molex				
mm	1:1										
GENERAL TOLERANCES (UNLESS SPECIFIED)		EC NO: 830094 DRWN: PRANAA 2025/07/31 CHK'D: GB 2025/08/08 APPR: GB 2025/08/08					PRODUCT CUSTOMER DRAWING				
ANGULAR TOL	± °										
4 PLACES	±	INITIAL REVISION: DRWN: VHANDI 2023/04/19 APPR: RSILLER 2023/05/24					DOCUMENT NUMBER		DOC TYPE	DOC PART	REVISION
3 PLACES	±						1300480015		PSD	000	B1
2 PLACES	±	DRAFT WHERE APPLICABLE MUST REMAIN WITHIN DIMENSIONS		THIRD ANGLE PROJECTION	DRAWING	SERIES	MATERIAL NUMBER	CUSTOMER		SHEET NUMBER	
1 PLACE	±	C-SIZE	130048	SEE TABLE		GENERAL MARKET		2 OF 2			
0 PLACES	±										