



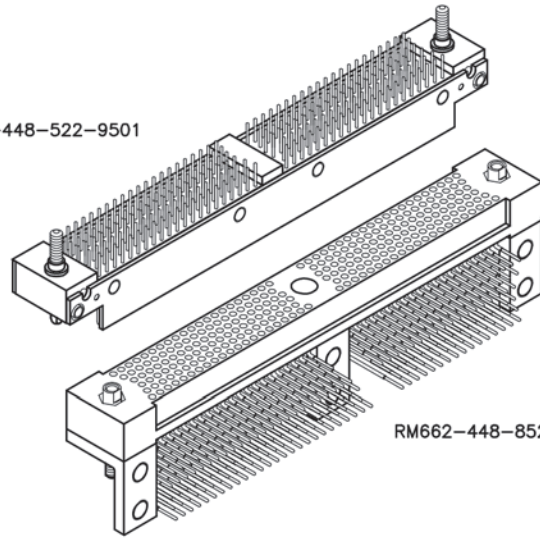
# 6 · ROW Motherboard or Chassis to Daughterboard

.075"

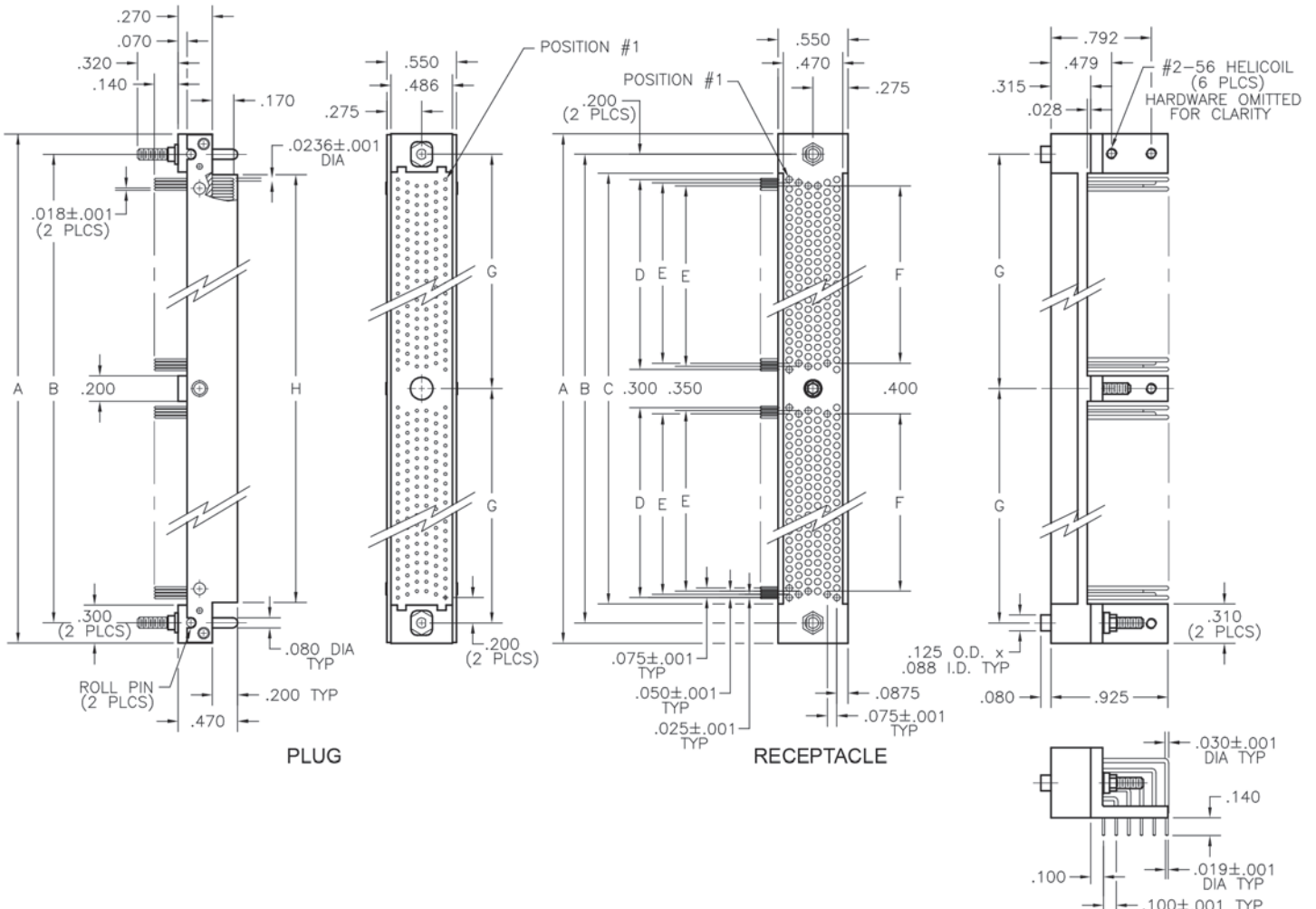
**RM6**

448 & 604 Contacts

RM612-448-522-9501



RM662-448-852-9601



DIMENSIONS								
SIZE	A	B	C	D	E	F	G	H
448	6.570	6.250	5.950	2.775	2.700	2.675	3.125	5.930
604	8.520	8.200	7.900	3.750	3.675	3.650	4.100	7.880