



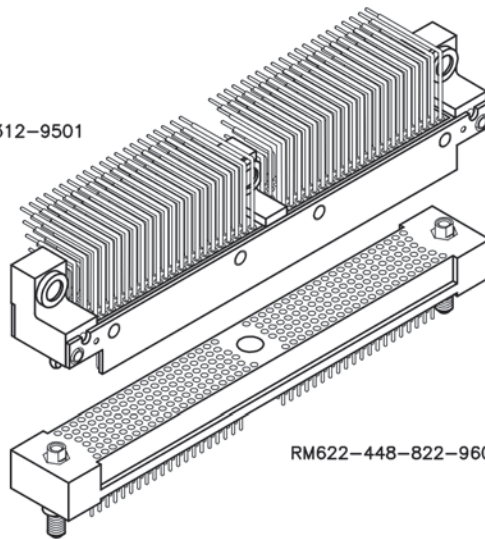
# 6 · ROW Daughterboard to Motherboard or Chassis

.075"

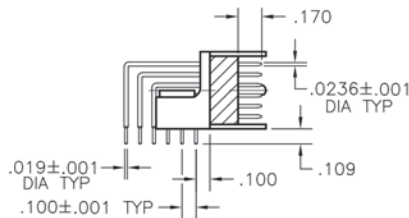
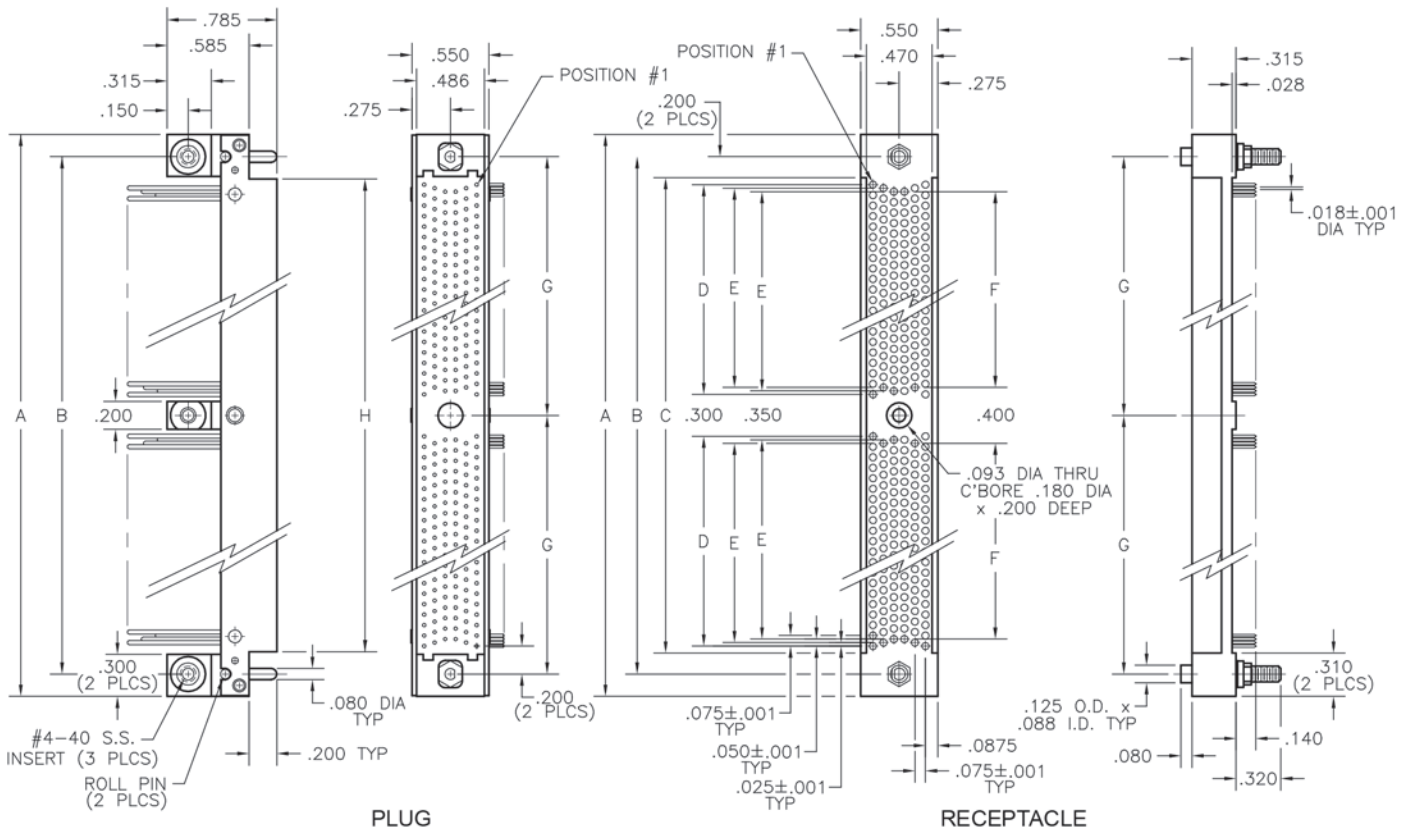
**RM6**

448 & 604 Contacts

RM652-448-312-9501



RM622-448-822-9601



DIMENSIONS								
SIZE	A	B	C	D	E	F	G	H
448	6.570	6.250	5.950	2.775	2.700	2.675	3.125	5.930
604	8.520	8.200	7.900	3.750	3.675	3.650	4.100	7.880