



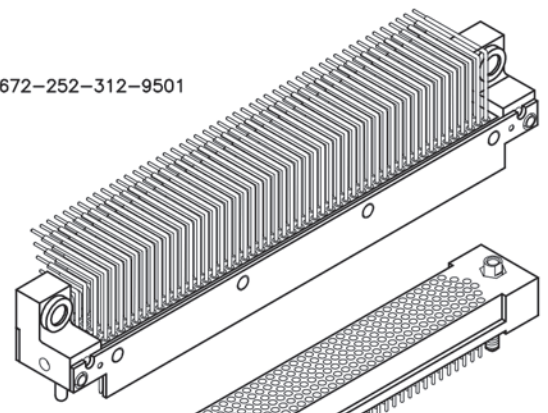
# 6 · ROW Daughterboard to Motherboard or Chassis

.075"

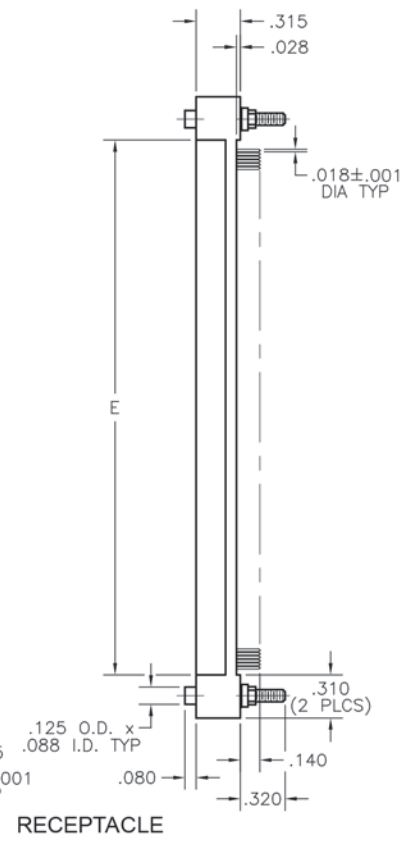
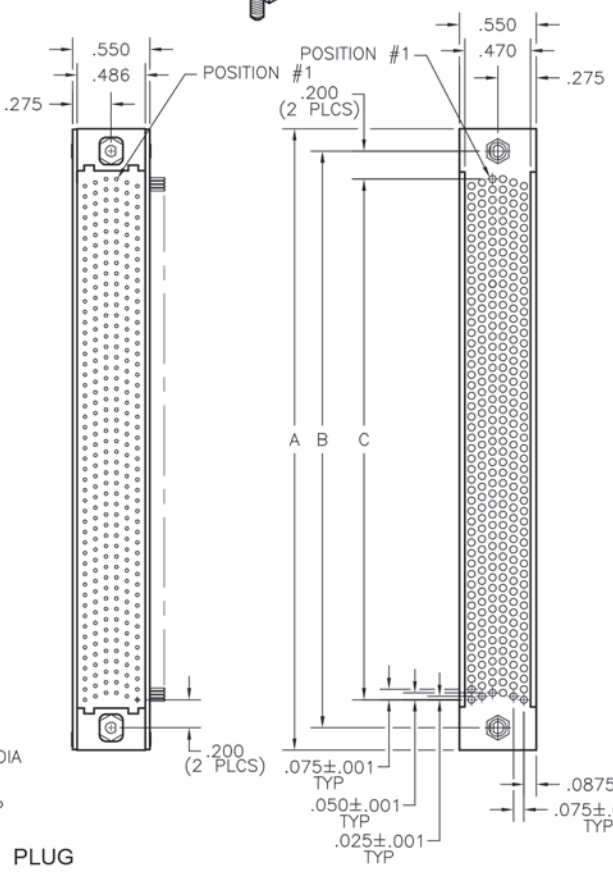
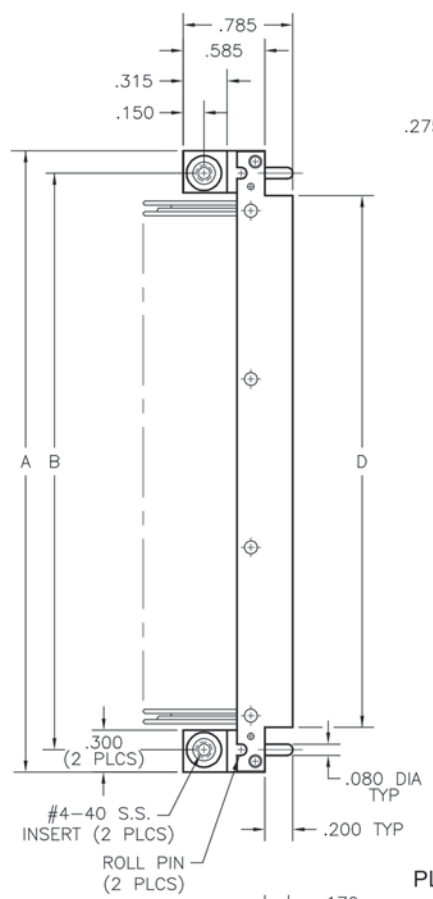
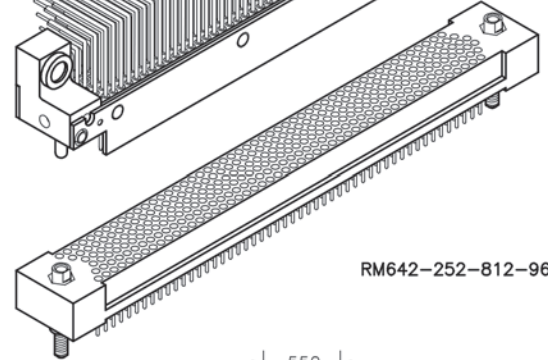
**RM6**

162 thru 402 Contacts

RM672-252-312-9501

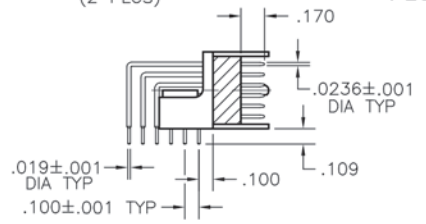


RM642-252-812-9601



PLUG

RECEPTACLE



DIMENSIONS					
SIZE	A	B	C	D	E
162	2.720	2.400	2.000	2.080	2.100
204	3.245	2.925	2.525	2.605	2.625
252	3.845	3.525	3.125	3.205	3.225
300	4.445	4.125	3.725	3.805	3.825
360	5.195	4.875	4.475	4.550	4.575
402	5.720	5.400	5.000	5.080	5.100