



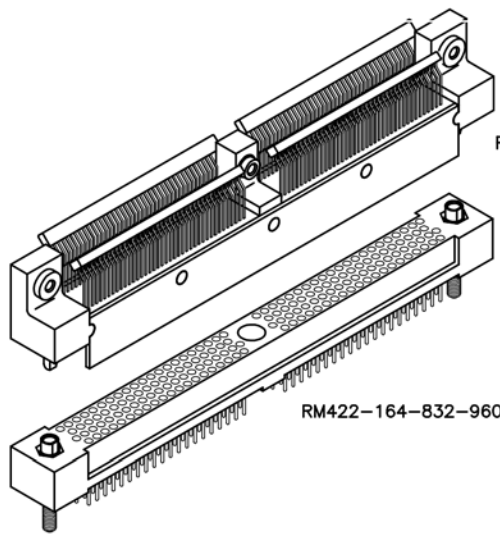
4 · ROW Daughterboard to Motherboard or Chassis

.075"

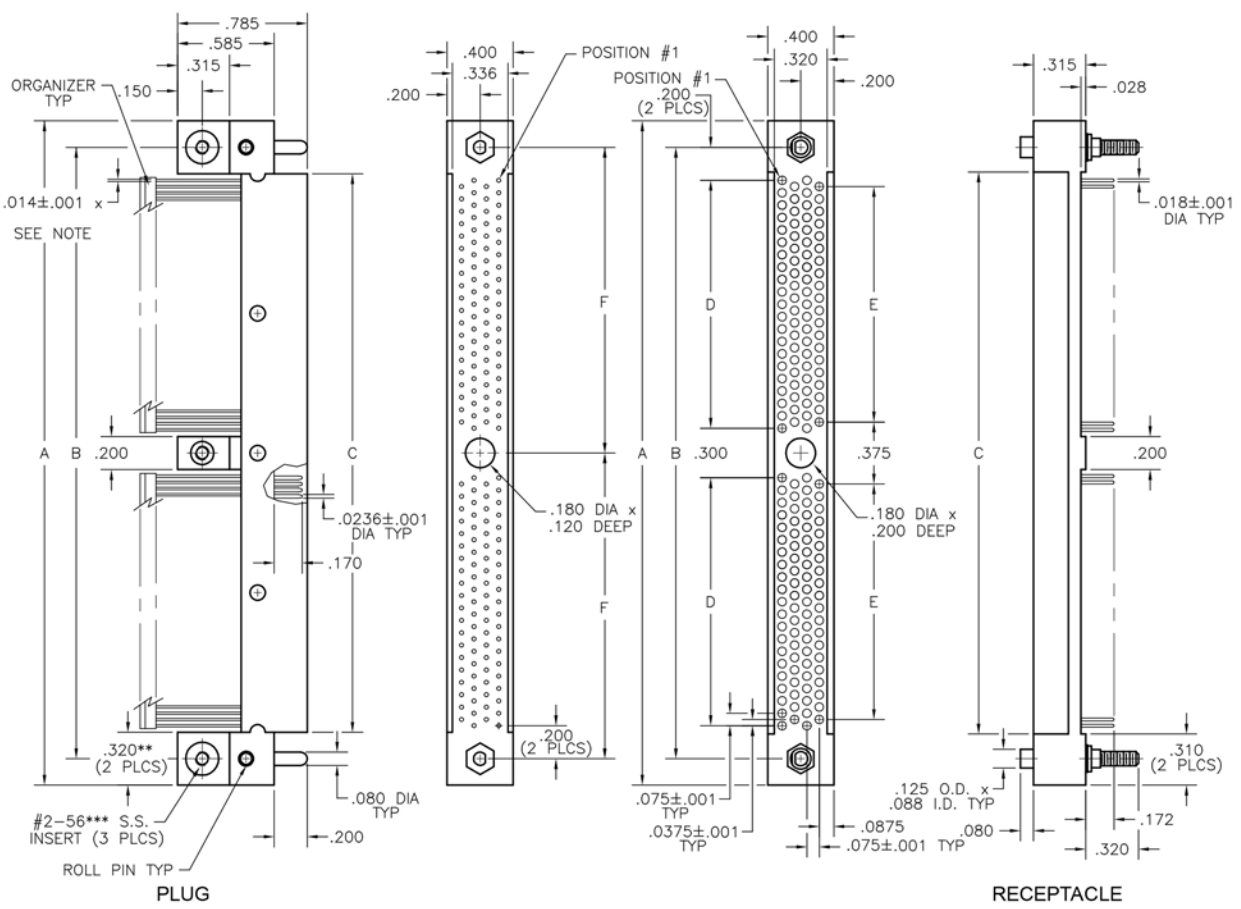
RM4

86 thru 404 Contacts

RM412-164-192-9501-933



RM422-164-832-9601



| SIZE | DIMENSIONS | | | | | | | |
|------|------------|-------|-------|-------|-------|-------|-------|-------|
| | A | | B | C | | D | E | F |
| | PLUG | RCPT | | PLUG | RCPT | | | |
| 86* | 2.255 | 2.295 | 1.975 | 1.655 | 1.675 | 1.575 | 1.500 | - |
| 110* | 2.745 | 2.745 | 2.425 | 2.105 | 2.125 | 2.025 | 1.950 | - |
| 164 | 4.020 | 4.020 | 3.700 | 3.380 | 3.400 | 1.500 | 1.425 | 1.850 |
| 196 | 4.620 | 4.620 | 4.300 | 3.980 | 4.000 | 1.800 | 1.725 | 2.150 |
| 204 | 4.770 | 4.770 | 4.450 | 4.130 | 4.150 | 1.875 | 1.800 | 2.225 |
| 220 | 5.070 | 5.070 | 4.750 | 4.430 | 4.450 | 2.025 | 1.950 | 2.375 |
| 250* | 5.370 | 5.370 | 5.050 | 4.730 | 4.750 | 4.650 | 4.575 | - |
| 276 | 6.120 | 6.120 | 5.800 | 5.480 | 5.500 | 2.550 | 2.475 | 2.900 |
| 300 | 6.570 | 6.570 | 6.250 | 5.930 | 5.950 | 2.775 | 2.700 | 3.125 |
| 404 | 8.520 | 8.520 | 8.200 | 7.880 | 7.900 | 3.750 | 3.675 | 4.100 |

NOTES:
 * = Single section, no center mounting hole.
 ** = .280" for 86 position
 *** = Insert is #4-40 for size 404.
 Refer to SMT Configuration Chart (R-56) for available options.