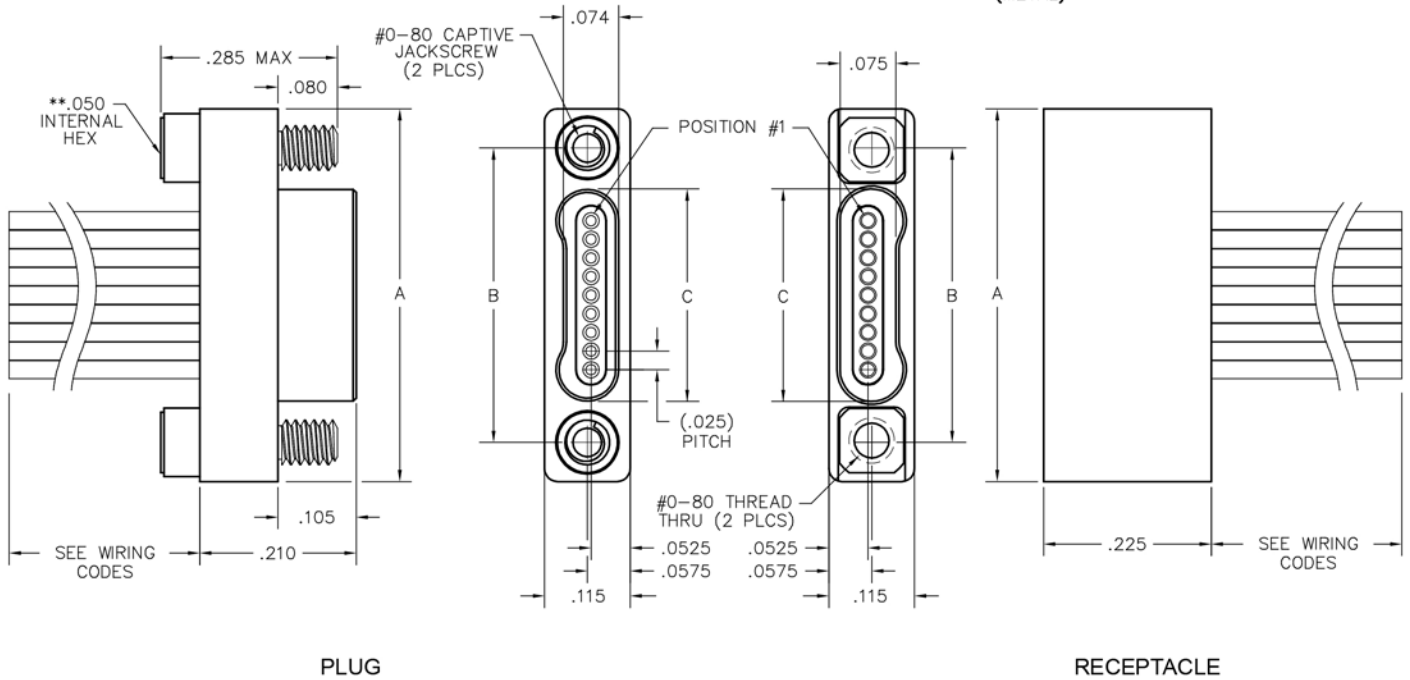
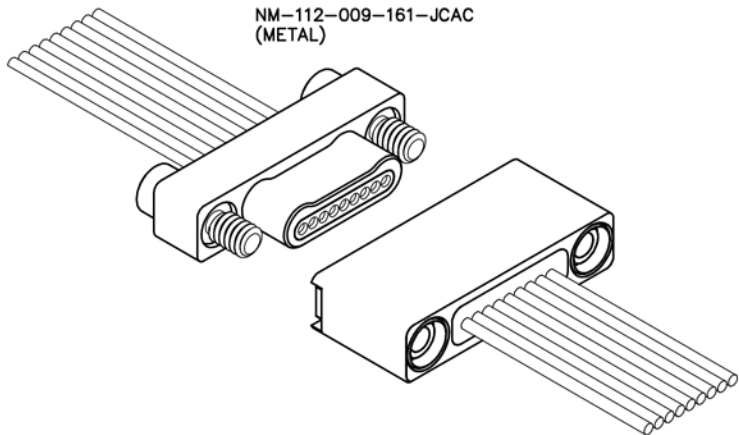


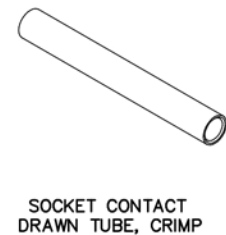
1 . ROW Cable to Cable .025"

NM, NM

9 thru 51 Contacts



SIZE	DIMENSIONS			
	A	B	C	
			PLUG	RCPT
9	.500	.395	.284	.285
15	.650	.545	.434	.435
21	.800	.695	.584	.585
25	.900	.795	.684	.685
31	1.050	.945	.834	.835
37	1.200	1.095	.984	.985
51	1.550	1.445	1.334	1.335



** = HEX MEASUREMENT TAKEN ACROSS THE FLATS.